

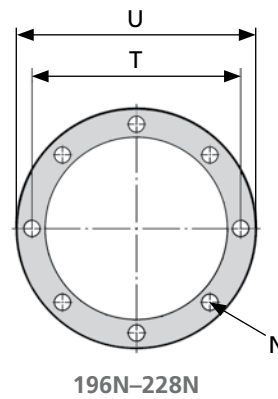
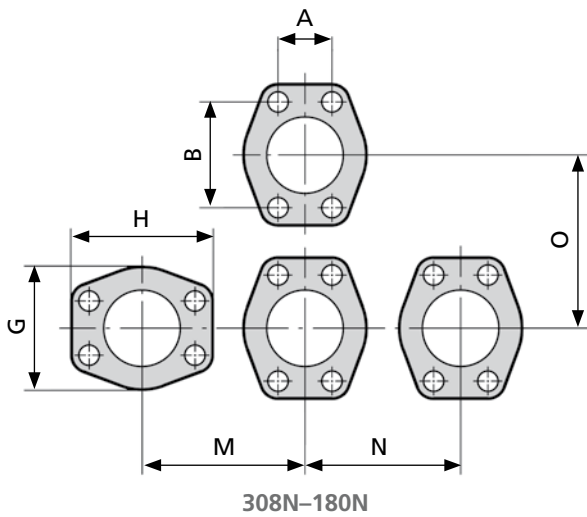
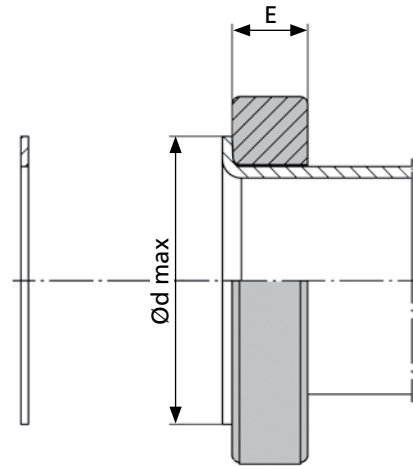
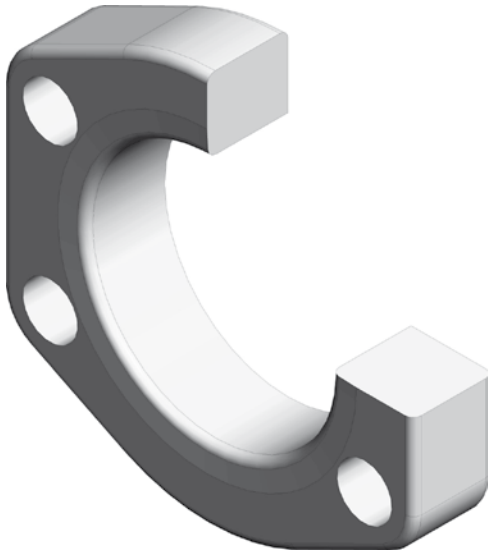
10–40 bar

GS-90° Flare flanges – Drilled to SAE J 518 Code 61	6
GS-90° Flare flanges for DIN 2501	7
GS-90° Flare flanges for ANSI Class 150 psi.....	8



GS-90° Flared flanges – 16 bar

Drilled to ISO 6162-1 (SAE J 518 Code 61)



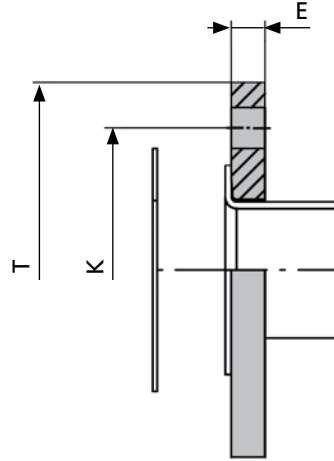
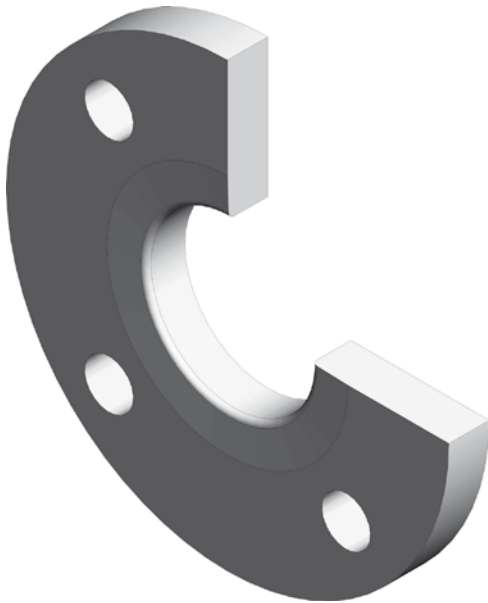
Size	Pipe O.D.	Part no	ID Code	A	B	G	H	Weight [kg]	Bolt DIN 931 8.8	d	M	N	O	E	Gasket Part No	Gasket ID Code
1/2"	25	308N	1105002090	17,5	38,1	46	54	0,2	M8 x 55	33,0	52	49	56	20	08NG	2701299000
3/4"	30	312N	1105002100	22,2	47,6	52	66	0,2	M10 x 60	41,5	61	55	68	20	12NG	2701299200
1"	38	316N	1105002110	26,2	52,4	59	70	0,2	M10 x 65	47,3	67	61	73	20	16NG	2701299400
1 1/4"	42	320N	1105002120	30,2	58,7	73	79	0,4	M10 x 65	54,0	78	75	82	20	20NG	2701299600
1 1/2"	50	124N	1105001100	35,7	69,9	83	94	0,5	M12 x 70	65,3	90	85	96	20	24NG	2701300000
2"	60	132N	1105001110	42,9	77,8	97	102	0,7	M12 x 70	76,0	102	99	104	20	32NG	2701302000
2 1/2"	73	140N	1105001140	50,8	88,9	109	114	0,8	M12 x 70	90,0	114	111	117	20	40NG	2701303000
3"	90	148N	1105001160	61,9	106,4	131	135	1,4	M16 x 80	106,6	136	133	137	25	48NG	2701304000
4"	115	164N	1105001180	77,8	130,2	152	162	2,0	M16 x 90	135,0	160	155	164	30	64NG	2701306000
5"	140	180N	1105001190	92,1	152,4	180	184	3,2	M16 x 110	161,5	185	183	186	40	80NG	2701307000
				T	U							N				
6"	165	196N	1105001220	208,0	236,0			6,2	M16 x 100	191,5		6		40	96NG	2701308000
8"	220	228N	1105001230	275,0	317,0			11	M20 x 120	254,0		8		40	28NG	2701301000

Material possibilities:
 Standard= carbon steel, zinc plated
 Carbon steel, hot dip galvanized= add HDG after Part No
 Stainless steel= add SS after Part No
 Other materials and pipe sizes on request.

Gasket material:
 Standard= KLINGERSIL® C-4430
 Other materials on request.

GS-90° Flare flanges for DIN 2501

Drilled to EN 1092-1 (DIN 2501)



Size	Pipe O.D. [mm]	Part No Standard	ID Code Standard	ID Code HDG-surface	ID Code ZN-surface	PN 10/40				Weight [kg]	Gasket Part No	Gasket ID Code
						T	K	E	Bolts DIN 931			
1 1/4"	38.0	GSEN-PN10/40-DN32/38	1106103100	1116103100	1106303100	140	100	18	4 x M16x60(40)	1.9	DN32PN10-40	2701401000
	42.4	GSEN-PN10/40-DN32/42.4	1106103200	1116103200	1106303200	140	100	18	4 x M16x60(40)	1.8	DN32PN10-40	2701401000
1 1/2"	44.5	GSEN-PN10/40-DN40/44.5	1106104000	1116104000	1106304000	150	110	18	4 x M16x60(40)	2.1	DN40PN10-40	2701402000
	48.3	GSEN-PN10/40-DN40/48.3	1106104100	1116104100	1106304100	150	110	18	4 x M16x60(40)	2.0	DN40PN10-40	2701402000
2"	57.0	GSEN-PN10/40-DN50/57	1106105100	1116105100	1106305100	165	125	20	4 x M16x70(45)	2.6	DN50PN10-40	2701403000
	60.3	GSEN-PN10/40-DN50/60.3	1106105200	1116105200	1106305200	165	125	20	4 x M16x70(45)	2.5	DN50PN10-40	2701403000
2 1/2"	73.0	GSEN-PN10/40-DN65/73	1106106000	1116106000	1106306000	185	145	22	8*x M16x70(45)	3.1	DN65PN10-40	2701404000
	76.1	GSEN-PN10/40-DN65/76.1	1106106100	1116106100	1106306100	185	145	22	8*x M16x70(45)	3.0	DN65PN10-40	2701404000
3"	88.9	GSEN-PN10/40-DN80/88.9	1106107000	1116107000	1106307000	200	160	24	8 x M16x70(45)	3.5	DN80PN10-40	2701405000
4"	108.0	GSEN-PN10/16-DN100/108	1106108000	1116108000	1106308000	220	180	22	8 x M16x70(45)	4.7	DN100PN10-16	2701406000
	114.3	GSEN-PN10/16-DN100/114.3	1106108100	1116108100	1106308100	220	180	22	8 x M16x70(45)	4.5	DN100PN10-16	2701406000
	114.3	GSEN-PN25/40-DN100/114.3	1106108200	1116108200	1106308200	235	190	26	8 x M20x80(55)	5.9	DN100PN25-40	2701406200
5"	133.0	GSEN-PN10/16-DN125/133	1106109000	1116109000	1106309000	250	210	22	8 x M16x70(45)	5.8	DN125PN10-16	2701407000
	139.7	GSEN-PN10/16-DN125/139.7	1106109100	1116109100	1106309100	250	210	22	8 x M16x70(45)	5.5	DN125PN10-16	2701407000
	139.7	GSEN-PN25/40-DN125/139.7	1106109200	1116109200	1106309200	270	220	28	8 x M24x100(70)	6.9	DN125PN25-40	2701407500
6"	159.0	GSEN-PN10/16-DN150/159	1106110000	1116110000	1106310000	285	240	24	8 x M20x80(55)	7.5	DN150PN10-16	2701408000
	168.3	GSEN-PN10/16-DN150/168.3	1106110100	1116110100	1106310100	285	240	24	8 x M20x80(55)	7.0	DN150PN10-16	2701408000
	168.3	GSEN-PN25-40-DN150/168.3	1106110200	1116110200	1106310200	300	250	30	8 x M24x120(80)	13.9	DN150PN25-40	2701408200
8"	219.1	GSEN-PN10-DN200/219.1	1106111000	1116111000	1106311000	340	295	26	8 x M20x90(60)	9.5	DN200PN10-16	2701409000
	219.1	GSEN-PN16-DN200/219.1	1106111100	1116111100	1106311100	340	295	26	12 x M20x90(60)	9.2	DN200PN10-16	2701409000
	219.1	GSEN-PN25-DN200/219.1	1106111200	1116111200	1106311200	360	310	32	12 x M24x120(80)	18.1	DN200PN25	2701409200
10"	273.0	GSEN-PN10-DN250/273	1106112000	1116112000	1106312000	395	350	26	12 x M20x90(60)	11.1	DN250PN10	2701410000
	273.0	GSEN-PN16-DN250/273	1106112100	1116112100	1106312100	405	355	29	12 x M24x100(70)	15.1	DN250PN16	2701410100
12"	323.9	GSEN-PN10-DN300/323.9	1106112200	1116112200	1106312200	445	400	26	12 x M20x100(60)	12.7	DN300PN10	2701411000
	323.9	GSEN-PN16-DN300/323.9	1106113000	1116113000	1106313000	460	410	32	12 x M24x110(70)	18.0	DN300PN16	2701411200
14"	355.6	GSEN-PN10-DN350/355.6	1106113100	1116113100	1106313100	505	460	28	16 x M20x120(70)	26.0	DN350PN10	2701412000
	355.6	GSEN-PN16-DN350/355.6	1106113200	1116113200	1106313200	520	470	35	16 x M24x120(75)	28.7	DN350PN16	2701412200
16"	406.4	GSEN-PN10-DN400/406.4	1106114000	1116114000	1106314000	565	515	32	16 x M24x130(80)	35.2	DN400PN10	2701413000
	406.4	GSEN-PN16-DN400/406.4	1106114100	1116114100	1106314100	580	525	38	16 x M27x130(90)	38.6	DN400PN16	2701413200

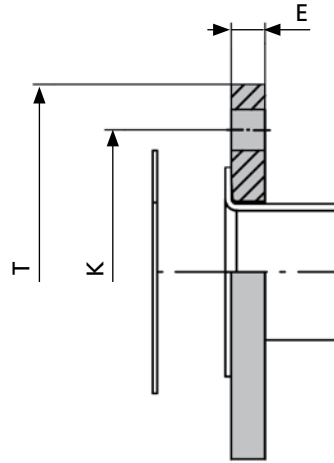
Part numbers for three different surface treatment (others on request):
 - Standard – plain metal without coating
 - HDG – hot dip galvanized (add HDG after Part No)
 - ZN – electric zinc plated (add ZN after Part No)
 Component material: Carbon steel S235JR, other materials on request.

L= flange to flange
 (L)= flange to block
 *) PN10/16 with 4 bolts.

Gasket material:
 Standard= KLINGERSIL® C-4430
 Other materials on request.

GS-90° Flare flanges for ANSI Class 150 psi

Drilled to ANSI B 16.5



Size	Pipe O.D. [mm]	Part No	ID Code	ANSI Class 150 psi Flanges				Weight [kg]	Gasket Part No	Gasket ID Code
				T	K	E	Stud bolts			
1/2"	16.0	GS-CLASS150-NPS15/16HDG	1119001000	88.9	60.5	11.2	4 x 1/2" x 60mm	0.4	CLASS150NPS15	2701471000
	21.3	GS-CLASS150-NPS15/21.3HDG	1119001100	88.9	60.5	11.2	4 x 1/2" x 60mm	0.4	CLASS150NPS15	2701471000
3/4"	25.0	GS-CLASS150-NPS20/25HDG	1119002000	98.6	69.9	12.7	4 x 1/2" x 65mm	0.7	CLASS150NPS20	2701471200
	26.7	GS-CLASS150-NPS20/26.7HDG	1119002100	98.6	69.9	12.7	4 x 1/2" x 65mm	0.7	CLASS150NPS20	2701471200
1"	30.0	GS-CLASS150-NPS25/30HDG	1119003000	108.0	79.2	14.2	4 x 1/2" x 65mm	0.8	CLASS150NPS25	2701471400
	33.4	GS-CLASS150-NPS25/33.4HDG	1119003100	108.0	79.2	14.2	4 x 1/2" x 65mm	0.8	CLASS150NPS25	2701471400
1 1/4"	38.0	GS-CLASS150-NPS32/38HDG	1119004000	117.3	88.9	15.7	4 x 1/2" x 70mm	1.1	CLASS150NPS32	2701471600
	42.2	GS-CLASS150-NPS32/42.2HDG	1119004100	117.3	88.9	15.7	4 x 1/2" x 70mm	1.1	CLASS150NPS32	2701471600
1 1/2"	44.5	GS-CLASS150-NPS40/44.5HDG	1119005000	127.0	98.6	17.5	4 x 1/2" x 70mm	1.4	CLASS150NPS40	2701471800
	48.3	GS-CLASS150-NPS40/48.3HDG	1119005100	127.0	98.6	17.5	4 x 1/2" x 70mm	1.4	CLASS150NPS40	2701471800
2"	57.0	GS-CLASS150-NPS50/57HDG	1119006000	152.4	120.7	19.1	4 x 5/8" x 85mm	2.2	CLASS150NPS50	2701472000
	60.3	GS-CLASS150-NPS50/60.3HDG	1119006100	152.4	120.7	19.1	4 x 5/8" x 85mm	2.2	CLASS150NPS50	2701472000
2 1/2"	73.0	GS-CLASS150-NPS65/73HDG	1119007000	177.8	139.7	22.4	4 x 5/8" x 90mm	3.6	CLASS150NPS65	2701472200
	76.1	GS-CLASS150-NPS65/76.1HDG	1119007100	177.8	139.7	22.4	4 x 5/8" x 90mm	3.6	CLASS150NPS65	2701472200
3"	88.9	GS-CLASS150-NPS80/88.9HDG	1119008000	190.5	152.4	23.9	4 x 5/8" x 90mm	4.1	CLASS150NPS80	2701472400
4"	108.0	GS-CLASS150-NPS100/108HDG	1119009000	228.5	190.5	23.9	4 x 5/8" x 90mm	5.6	CLASS150NPS100	2701472600
	114.3	GS-CLASS150-NPS100/114.3HDG	1119009100	228.5	190.5	23.9	4 x 5/8" x 90mm	5.6	CLASS150NPS100	2701472600
5"	139.7	GS-CLASS150-NPS125/139.7HDG	1119010000	254.0	215.9	23.9	8 x 3/4" x 95mm	6.3	CLASS150NPS125	2701472800
	141.3	GS-CLASS150-NPS125/141.3HDG	1119010100	254.0	215.9	23.9	8 x 3/4" x 95mm	6.3	CLASS150NPS125	2701472800
6"	159.0	GS-CLASS150-NPS150/159HDG	1119011000	279.4	241.3	25.4	8 x 3/4" x 100 mm	7.5	CLASS150NPS150	2701473000
	168.3	GS-CLASS150-NPS150/168.3HDG	1119011100	279.4	241.3	25.4	8 x 3/4" x 100 mm	7.5	CLASS150NPS150	2701473000
8"	219.1	GS-CLASS150-NPS200/219.1HDG	1119012000	343.0	298.5	28.4	8 x 3/4" x 110 mm	12.6	CLASS150NPS200	2701473200
10"	267.0	GS-CLASS150-NPS250/267HDG	1119013000	406.4	362.0	30.2	12 x 7/8" x 115 mm	18.5	CLASS150NPS250	2701473400
	273.0	GS-CLASS150-NPS250/273HDG	1119013100	406.4	362.0	30.2	12 x 7/8" x 115 mm	18.5	CLASS150NPS250	2701473400
12"	323.9	GS-CLASS150-NPS300/323.9HDG	1119014000	482.6	431.8	31.8	12 x 7/8" x 120 mm	28.0	CLASS150NPS300	2701473600
14"	355.6	GS-CLASS150-NPS350/355.6HDG	1119015000	533.4	476.3	35.1	12 x 1" x 135 mm	36.0	CLASS150NPS350	2701473800
	368	GS-CLASS150-NPS350/368HDG	1119015100	533.4	476.3	35.1	12 x 1" x 135 mm	36.0	CLASS150NPS350	2701473800
16"	406.4	GS-CLASS150-NPS400/406.4HDG	1119016000	596.9	539.8	36.6	16 x 1" x 135 mm	46.0	CLASS150NPS400	2701474000
	419.0	GS-CLASS150-NPS400/419HDG	1119016100	596.9	539.8	36.6	16 x 1" x 135 mm	46.0	CLASS150NPS400	2701474000

Component material:
 - Carbon steel ASTM A105, other materials on request.
 Surface treatment:
 - Hot dip galvanized, others on request

Gasket material:
 Standard= KLINGERSIL® C-4430
 Other materials on request.