

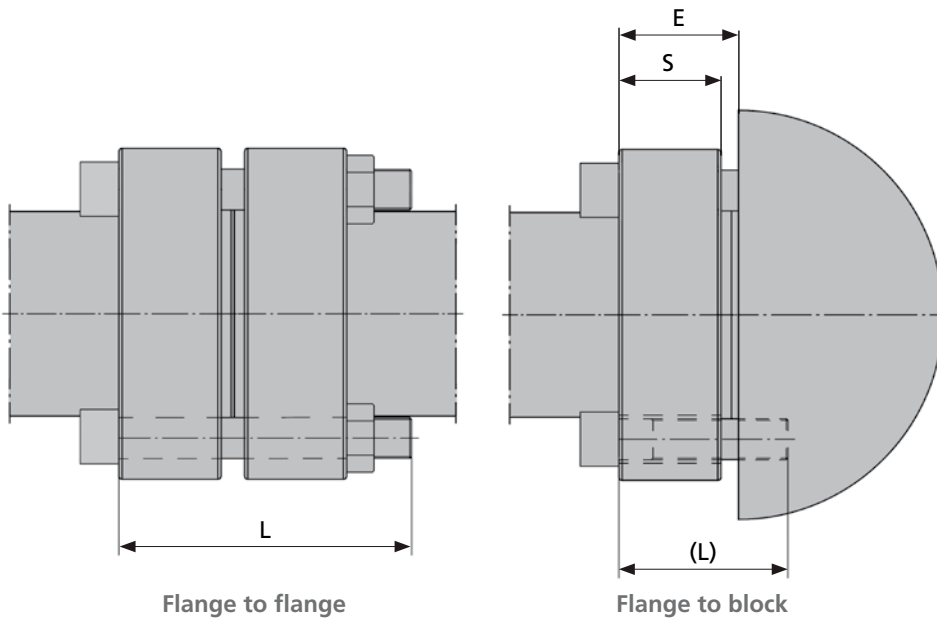
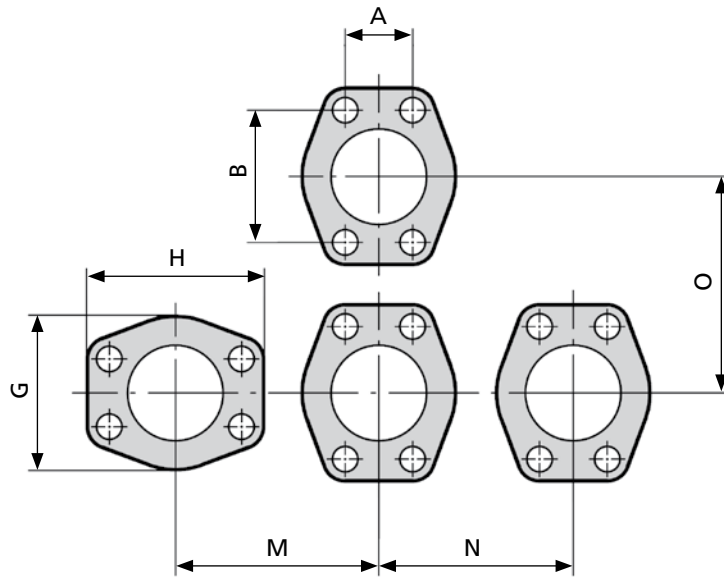
SAE 10000 psi

Flange dimensions.....	160
Retain ring flanges.....	161
Grooving direct on to pipe.....	162
Flange for welding.....	163
Tee block, Elbow block	164
Blind flange	165
Seal carriers.....	166
Retain ring.....	167
O-ring.....	168



Flange dimensions

Drilled to ISO 6162-2 (SAE J 518 Code 62)



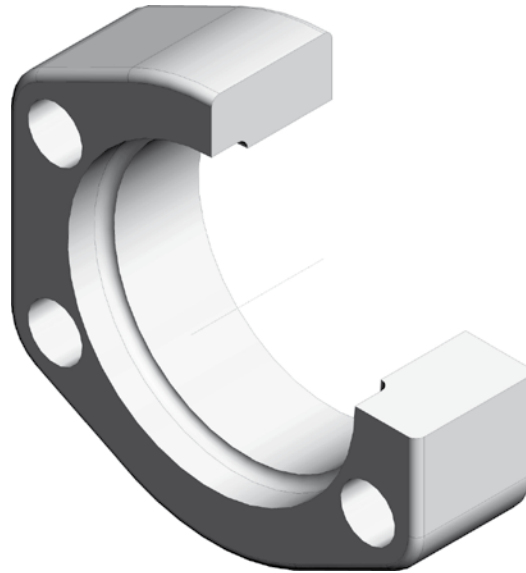
Size	Part No	A	B	G	H	M	N	O	S	E	Bolt L DIN 912, 8.8	W.P. [bar]	Weight [kg]
1/2"	908/21.3	18.2	40.5	48	56	56	53	59	30	33	M8x80(45)	690	0.28
3/4"	912/26.7	23.8	50.8	60	71	70	66	75	35	38	M10x90(50)	690	0.41
1"	916/33.4	27.8	57.2	70	81	80	75	84	35	38	M12x90(55)	690	0.71
1 1/4"	920/42.2	31.7	66.7	78	95	90	83	99	40	44	M14x110(60)	690	0.99
1 1/2"	924/48.3	36.5	79.4	95	113	108	101	116	40	45	M16x110(65)	690	1.41
2"	932/60.3	44.5	96.8	114	133	128	120	137	60	67	M20x150(90)	690	3.03
2 1/2"	940/73*	58.7	123.8	150	175	167	156	180	60	69	M24x160(100)	690	6.76
3"	948/88.9*	71.4	152.4	178	215	201	184	220	70	82	M30x190(120)	690	11.43

*) Dimensions according to hydraulic equipment supplier.
Bigger sizes (from 4" to 8") available on request.

L= flange to flange
(L)= flange to block

Retain ring flanges

Drilled to ISO 6162-2 (SAE J 518 Code 62)



ANSI 36.10/36.19 pipes

Size	Pipe O.D.	Standard Part No	Standard ID Code	HDG Part No	HDG ID Code	SS Part No	SS ID Code	W.P. bar	Weight [kg]
1/2"	21.3	908/21.3	1103239500	908/21.3HDG	1113250100	908/21.3SS	1203239500	690	0.28
3/4"	26.7	912/26.7	1103240000	912/26.7HDG	1113250200	912/26.7SS	1203240000	690	0.46
1"	33.4	916/33.4	1103242000	916/33.4HDG	1113250300	916/33.4SS	1203242000	690	0.71
1 1/4"	42.2	920/42.2	1103244000	920/42.2HDG	1113250400	920/42.2SS	1203244000	690	1.00
1 1/2"	48.3	924/48.3	1103246000	924/48.3HDG	1113250500	924/48.3SS	1203246000	690	1.80
2"	60.3	932/60.3	1103250000	932/60.3HDG	1113250600	932/60.3SS	1203250000	690	3.03
2 1/2"	73	940/73	1103251000	940/73HDG	1113250700	940/73SS	1203251000	690	6.76
3"	88.9	948/88.9	1103252000	948/88.9HDG	1113250800	948/88.9SS	1203252000	690	11.43

Material possibilities:

Standard= carbon steel, zinc plated

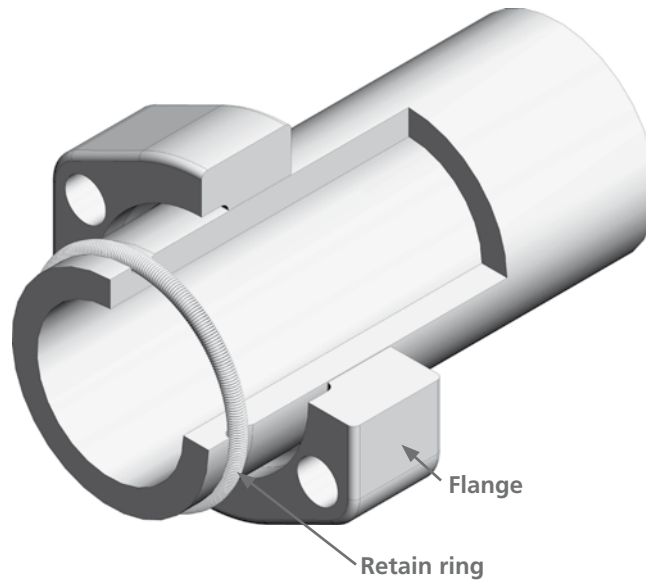
-HDG= carbon steel, hot dip galvanized

-SS= stainless steel

Bigger size components available on request.

Grooving direct on to pipe

Drilled to ISO 6162-2 (SAE J 518 Code 62)



ANSI 36.10/36.19 pipes

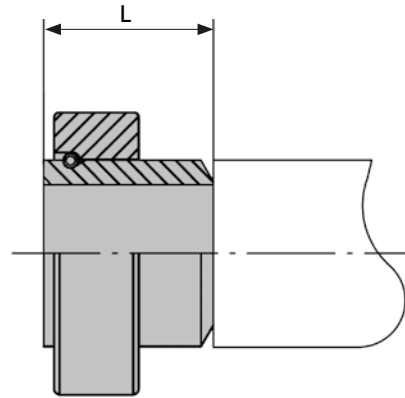
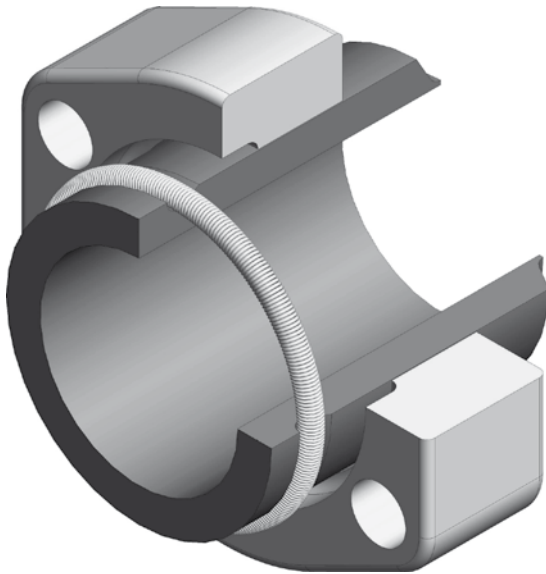
Size	Pipe Size	Flange Part No	Flange ID Code	Retain Ring Part No	Retain Ring ID Code
1/2"	21.3x7.47	908/21.3	1103239500	08/21.3	1902000200
3/4"	26.7x7.82	912/26.7	1103240000	12/26.7	1902001200
1"	33.4x9.09	916/33.4	1103242000	16/33.4	1902002200
1 1/4"	42.2x9.7	920/42.2	1103244000	20/42.2	1902003200
1 1/2"	48.3x10.15	924/48.3	1103246000	24/48.3	1902004200
2"	60.3x11.07	932/60.3	1103250000	32/60.3	1902006200
2 1/2"	73x14.02	940/73	1103251000	40/73	1902007200
3"	88.9x15.24	948/88.9	1103252000	48/88.9	1902008200

Bigger size components available on request.
 Pipe material duplex (EN 1.4462).
 Pipe material for sizes 4" (114.3mm) and up super duplex (EN 1.4410).
 Other materials on request.

Flanges page 161
 Retain rings page 167
 Seal carriers page 166

Flange for welding

Drilled to ISO 6162-2 (SAE J 518 Code 62)



Complete Part No example:
908011/21.3X7.47B includes:
 908/21.3 1 pc
 08011/21.3X7.47B-DX 1 pc
 08/21.3 1 pc

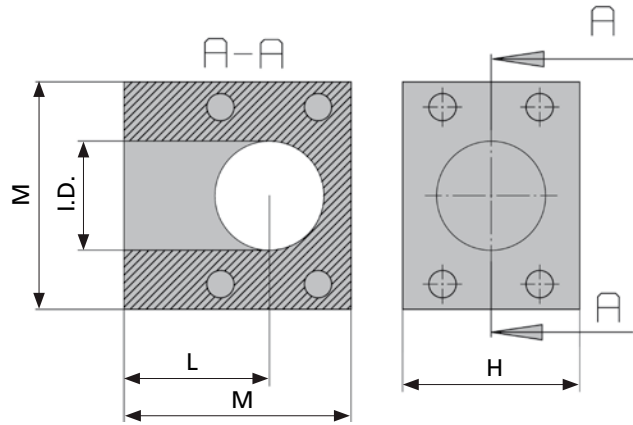
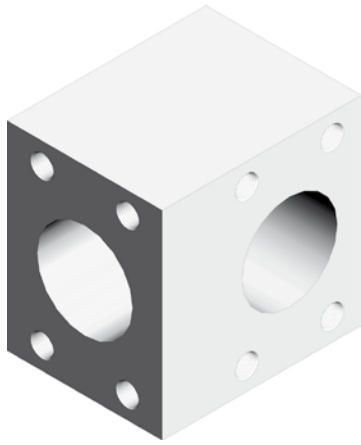
Size	Pipe Size	Complete Part No	Complete ID Code	L	Weight (kg)	Body Part No	Body ID Code
1/2"	21.3x7.47	908011/21.3X7.47B	1301601000	45	0.40	08011/21.3X7.47B-DX	1303003100
3/4"	26.7x7.82	912011/26.7X7.82B	1301601200	45	0.62	12011/26.7X7.82B-DX	1303008300
1"	33.4x9.09	916011/33.4X9.09B	1301601400	50	0.96	16011/33.4X9.09B-DX	1303013700
1 1/4"	42.2x9.7	920011/42.2X9.7B	1301601600	55	1.43	20011/42.2X9.7B-DX	1303021700
1 1/2"	48.3x10.15	924011/48.3X10.15B	1301601800	60	2.37	24011/48.3X10.15B-DX	1303027100
2"	60.3x11.07	932011/60.3X11.07B	1301602000	75	4.03	32011/60.3X11.07B-DX	1303035600
2 1/2"	73x14.02	940011/73X14.02B	1301602200	90	8.60	40011/73X14.02B-DX	1303038900
3"	88.9x15.24	948011/88.9X15.24B	1301602400	110	14.47	48011/88.9X15.24B-DX	1303043000

Body material duplex (EN 1.4462).
 Bigger size components available on request.
 Body material for sizes 4" (114.3 mm) and up super duplex (EN 1.4410).
 Other materials or type A (with O-ring) on request.

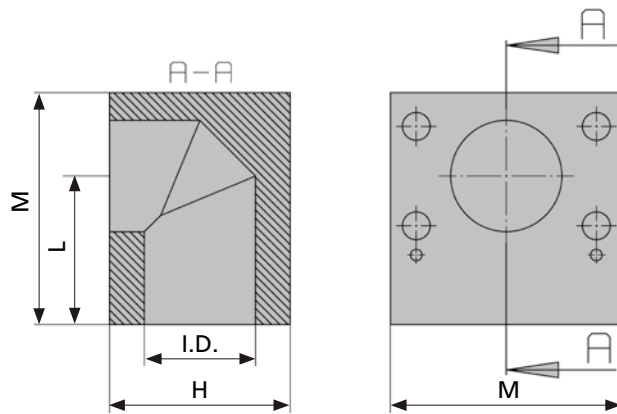
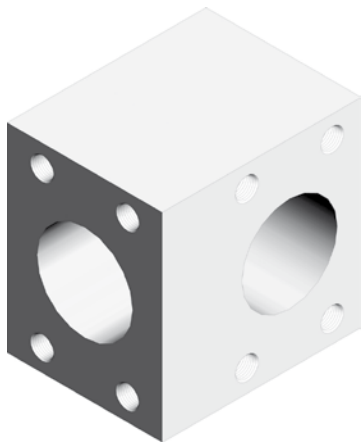
Flanges page 161
 Retain rings page167

Tee block

Drilled to ISO 6162-2 (SAE J 518 Code 62)



Tee block



Elbow block

Tee block

Size	Part No	ID Code	H	L	M	I.D.	Weight [kg]
1/2"	908116	1702080800	40	36	56	6.3	0.95
3/4"	912116	1702081200	48	49	70	11.1	1.35
1"	916116	1702081600	48	55	80	15.2	2.02
1 1/4"	920116	1702082000	58	63	90	22.8	2.95
1 1/2"	924116	1802082400	68	68	100	28.0	3.95
2"	932116	1702083200	88	90	130	38.1	8.65

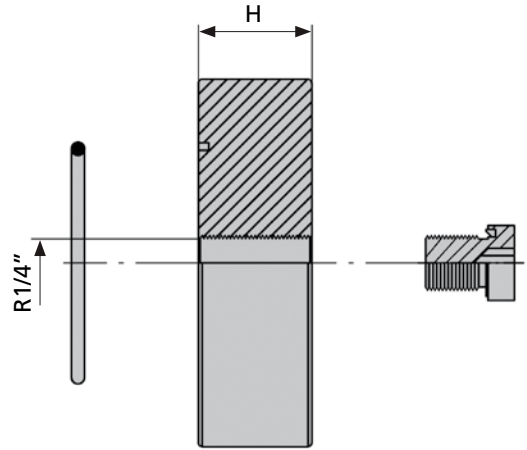
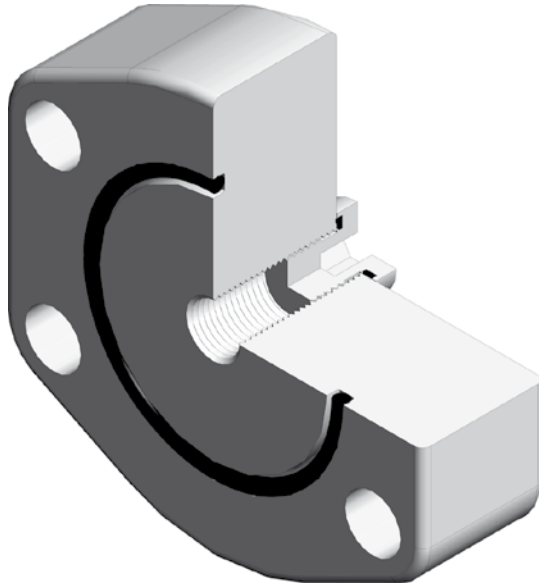
Elbow block

Size	Part No	ID Code	H	L	M	I.D.	Weight [kg]
1/2"	908115	1603030800	40	36	56	6.3	1.15
3/4"	912115	1603031200	48	49	70	11.1	1.95
1"	916115	1603031600	48	55	80	15.2	2.10
1 1/4"	920115	1603032000	58	63	90	22.8	3.10
1 1/2"	924115	1603032400	68	68	100	28.0	4.20
2"	932115	1603033200	88	90	130	38.1	9.60

Component material:
 Standard= carbon steel, zinc plated
 Stainless steel= add SS after Part No
 Other materials on request.
 Bigger size components available on request.

Blind flange

Drilled to ISO 6162-2 (SAE J 518 Code 62)



Complete Part No example:
908125/21.3 includes:
 908125/21.3 1 pc
 OR12.37X2.62 1 pc
 VSTI 1/4 R ED 1 pc

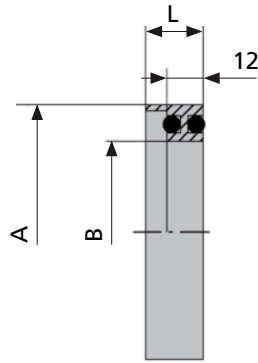
Size	Part No	ID Code	H	Weight [kg]
1/2"	908125/21.3	1910529080	30	0.41
3/4"	912125/26.7	1910529120	35	0.81
1"	916125/33.4	1910529160	35	0.96
1 1/4"	920125/42.2	1910529200	40	1.40
1 1/2"	924125/48.3	1910529240	40	2.38
2"	932125/60.3	1910529320	60	4.73
2 1/2"	940125/73	1910529400	60	8.71
3"	948125/88.9	1910529480	70	14.83

Component material:
 Standard= carbon steel, zinc plated
 Other materials on request.
 Bigger size components available on request.

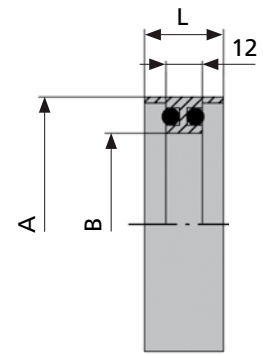
O-rings page 168

Seal carriers

Drilled to ISO 6162-2 (SAE J 518 Code 62)



Type S



Type D

Please add at least 10 mm to bolt lengths mentioned on page 160.

Type S with O-rings between flange and block – ANSI 36.10/36.19 pipes

Size	Part No	ID Code	O-Ring	A	B	L	Pipe Size
1/2"	0820/21.3X7.47S-DX	1811005000	OR12.37X2.62	26	7	15	21.3x7.47
3/4"	1220/26.7X7.82S-DX	1811006000	OR17.5X2	31	11	15	26.7x7.82
1"	1620/33.4X9.09S-DX	1811007000	OR20.22X3.53	38	15	15	33.4x9.09
1 1/4"	2020/42.2X9.75-DX	1811008000	OR28.17X3.53	47	23	15	42.2x9.7
1 1/2"	2420/48.3X10.15S-DX	1811009000	OR35.2X3	53	28	15	48.3x10.15
2"	3220/60.3X11.07S-DX	1811010400	OR47.22X3.53	65	42	15	60.3x11.07
2 1/2"	4020/73X14.02S-DX	1811011500	OR58.74X3.53	79	49	15	73x14.02
3"	4820/88.9X15.24S-DX	1811012400	OR72.62X3.53	93	59	15	88.9x15.24

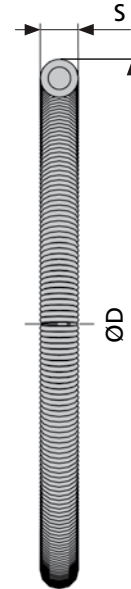
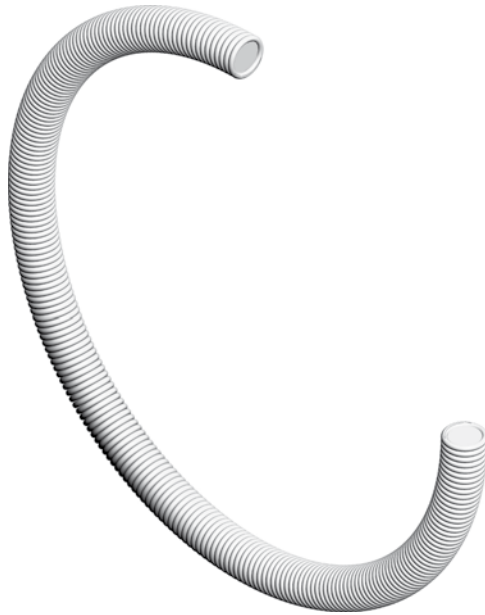
Type D with O-rings between flanges – ANSI 36.10/36.19 pipes

Size	Part No	ID Code	O-Ring	A	B	L	Pipe Size
1/2"	0820/21.3X7.47D-DX	1811005100	OR12.37X2.62	26	7	18	21.3x7.47
3/4"	1220/26.7X7.82D-DX	1811006100	OR17.5X2	31	11	18	26.7x7.82
1"	1620/33.4X9.09D-DX	1811007100	OR20.22X3.53	38	15	18	33.4x9.09
1 1/4"	2020/42.2X9.7D-DX	1811008100	OR28.17X3.53	47	23	18	42.2x9.7
1 1/2"	2420/48.3X10.15D-DX	1811009100	OR35.2X3	53	28	18	48.3x10.15
2"	3220/60.3X11.07D-DX	1811010500	OR47.22X3.53	65	42	18	60.3x11.07
2 1/2"	4020/73X14.02D-DX	1811011600	OR58.74X3.53	79	49	18	73x14.02
3"	4820/88.9X15.24D-DX	1811012500	OR72.62X3.53	93	59	18	88.9x15.24

Component material duplex (EN 1.4462).
 Bigger size components available on request.
 Body material for sizes 4" (114.3 mm) and up super duplex (EN 1.4410).
 Other materials on request.

Retain ring

Drilled to ISO 6162-2 (SAE J 518 Code 62)



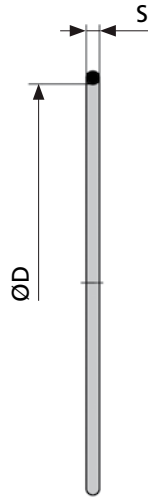
ANSI 36.10/36.19 pipes

Size	Part No	ID Code	Pipe O.D.	D	S
1/2"	08/21.3	1902000200	21.3	25.2	4
3/4"	12/26.7	1902001200	26.7	30.4	4
1"	16/33.4	1902002200	33.4	38.4	5
1 1/4"	20/42.2	1902003200	42.2	47.4	5
1 1/2"	24/48.3	1902004200	48.3	53.4	5
2"	32/60.3	1902006200	60.3	65.2	5
2 1/2"	40/73	1902007200	73	77.9	5
3"	48/88.9	1902008200	88.9	94.7	6

Component material:
AISI 302, special treated
Bigger size components available on request.

O-Ring between flange connections

Drilled to ISO 6162-2 (SAE J 518 Code 62)



Size	Part No	ID Code
1/2"	OR12.37X2.62	2701500500
3/4"	OR17.5X2	2701505300
1"	OR20.22X3.53	2701508100
1 1/4"	OR28.17X3.53	2701516100
1 1/2"	OR35.2X3	2701522200
2"	OR47.22X3.53	2701529000
2 1/2"	OR58.74X3.53	2701535500
3"	OR72.62X3.53	2701540500

Material possibilities:
 Standard= NBR, Shore 90 A
 FPM (Viton), Shore 90 A= add V after Part No
 Other materials on request.
 Bigger size components available on request.