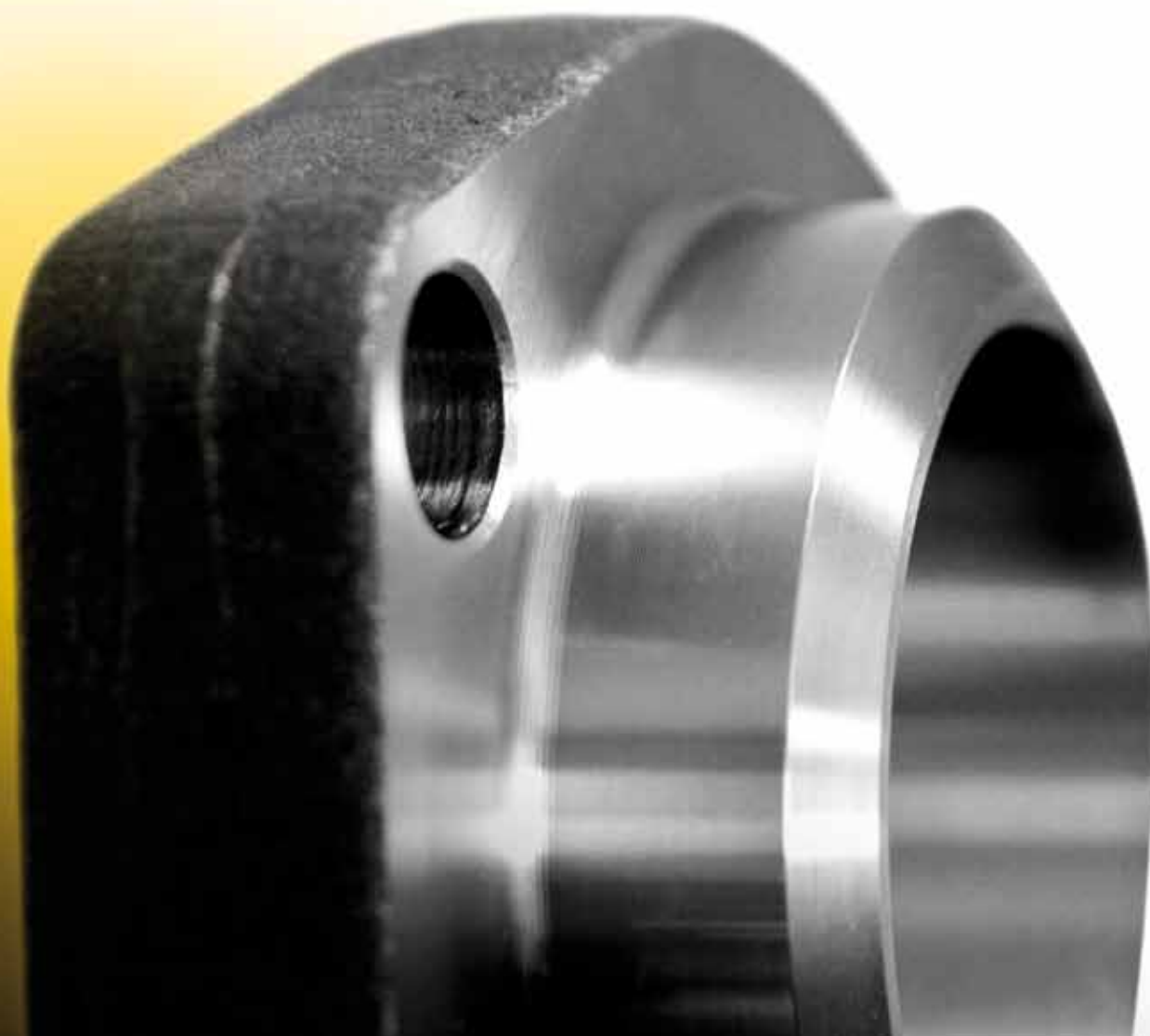


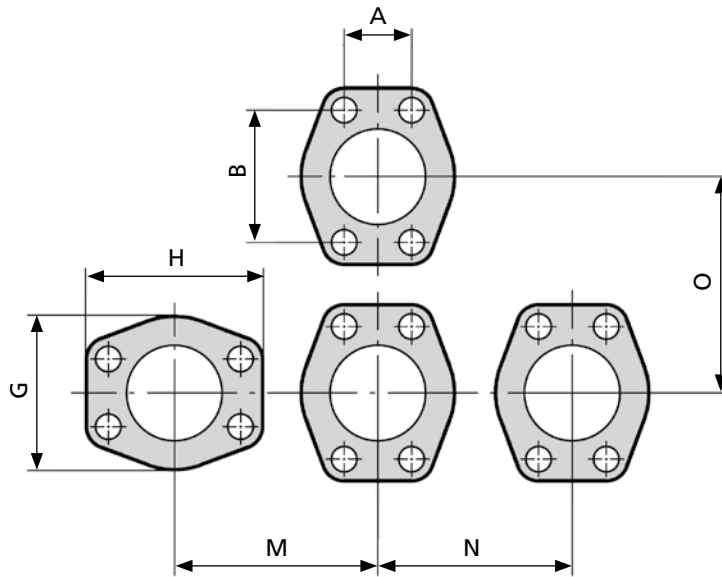
Other components

SAE 3000 psi flange dimensions.....	452
SAE 3000 psi welding flanges.....	453
SAE 3000 psi female flange & blind flange	454
SAE 6000 psi flange dimensions.....	455
SAE 6000 psi welding flanges.....	456
SAE 6000 psi female flange & blind flange	457



SAE 3000 psi flange dimensions

Drilled to ISO 6162-1 (SAE J 518 Code 61)

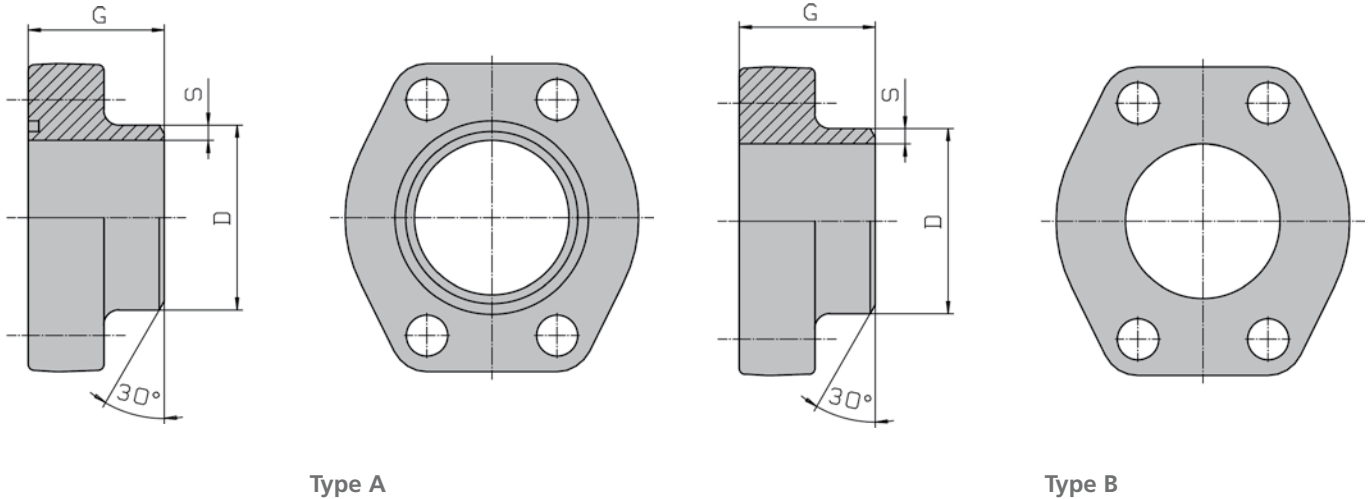


Size	Flange type	A	B	G	H	M	N	O	Bolt L DIN 912, 8.8
1/2"	F308	17.5	38.1	46	54	52	49	56	M8x60(35)
3/4"	F312	22.2	47.6	52	65	61	55	68	M10x60(35)
1"	F316	26.2	52.4	59	70	67	61	72	M10x60(35)
1 1/4"	F320	30.2	58.7	73	79	78	75	82	M10x70(35)
1 1/2"	F324	35.7	69.9	83	94	90	85	96	M12x80(45)
2"	F332	42.9	77.8	97	102	102	99	104	M12x80(50)
2 1/2"	F340	50.8	88.9	109	114	114	111	117	M12x110(60)
3"	F348	61.9	106.4	131	135	136	133	137	M16x130(80)
4"	F364								

L= flange to flange
(L)= flange to block

SAE 3000 psi welding flanges

Drilled to ISO 6162-1 (SAE J 518 Code 61)



Type A

Type B

Type A

Size	Part No*	ID Code	DxS	G	Weight [kg]	W.P. [bar]
1/2"	F308009A	2910110000	21.5X4.3	36	0.25	345
3/4"	F312009A	2910110100	28.0X4.5	36	0.32	345
1"	F316009A	2910110200	34.0X4.5	38	0.45	345
1 1/4"	F320009A	2910110300	42.8X5.4	41	0.66	271
1 1/2"	F324009A	2910110400	48.6X5.3	44	1.03	207
2"	F332002A	2910110500	61.0X5.0	45	1.17	207
2 1/2"	F340006A	2910110600	77.0X7.0	50	1.53	172
3"	F348006A	2910110700	92.0X9.5	50	2.09	138
4"	F364007A	2910110800	115.5X8.3	48	2.70	34

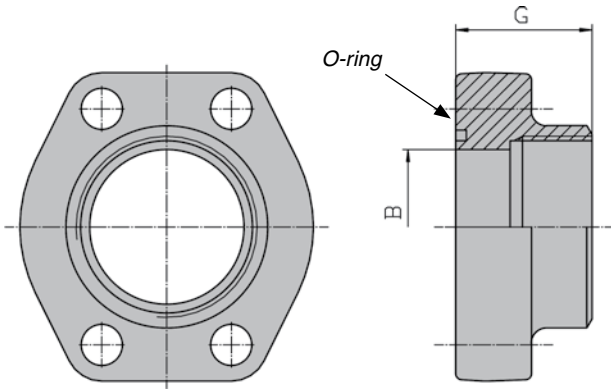
Type B – counter flange

Size	Part No	ID Code	DxS	G	Weight [kg]	W.P. [bar]
1/2"	F308009B	2910120000	21.5X4.3	36	0.25	345
3/4"	F312009B	2910120100	28.0X4.5	36	0.39	345
1"	F316009B	2910120200	34.0X4.5	38	0.46	345
1 1/4"	F320009B	2910120300	42.8X5.4	41	0.71	271
1 1/2"	F324009B	2910120400	48.6X5.3	44	1.11	207
2"	F332002B	2910120500	61.0X5.0	45	1.19	207
2 1/2"	F340006B	2910120600	77.0X7.0	50	1.40	172
3"	F348006B	2910120700	92.0X9.5	50	2.15	138
4"	F364007B	2910120800	115.5X8.3	48	2.85	34

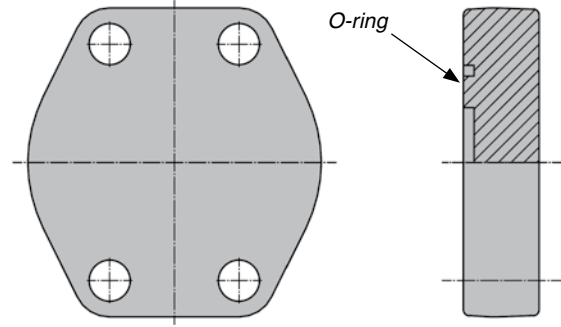
Component material: Carbon steel
Available in stainless steel on request.
*) O-ring included in the Part No.

SAE 3000 psi female flange and blind flange

Drilled to ISO 6162-1 (SAE J 518 Code 61)



Female flange



Blind flange

Female flange – Type A

Size	Part No*	ID Code	BSP	G	B	Weight [kg]	O-Ring	W.P. [bar]
1/2"	F308013A	2910130000	1/2"	36	13	0.25	OR18.64X3.53	345
3/4"	F312013A	2910130100	3/4"	36	19	0.37	OR25.00X3.53	345
1"	F316013A	2910130200	1"	38	25	0.45	OR32.93X3.53	345
1 1/4"	F320013A	2910130300	1 1/4"	41	32	0.66	OR37.70X3.53	276
1 1/2"	F324013A	2910130400	1 1/2"	44	38	1.05	OR47.23X3.53	207
2"	F332013A	2910130500	2"	45	51	1.17	OR56.75X3.53	207
2 1/2"	F340013A	2910130600	2 1/2"	50	63	1.59	OR69.44X3.53	179
3"	F348013A	2910130700	3"	50	73	2.18	OR85.32X3.53	138
4"	F364013A	2910130800	4"	48	99	2.78	OR110.72X3.53	34

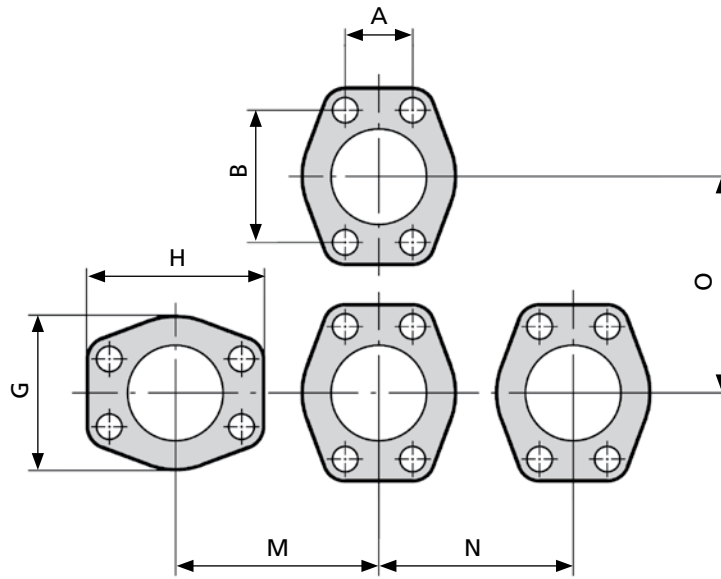
Blind flange – Type A

Size	Part No	ID Code	Weight [kg]	O-Ring	W.P. [bar]
1/2"	F308025A	2910140000	0.24	OR18.64X3.53	345
3/4"	F312025A	2910140100	0.30	OR25.00X3.53	345
1"	F316025A	2910140200	0.42	OR32.93X3.53	345
1 1/4"	F320025A	2910140300	0.55	OR37.70X3.53	276
1 1/2"	F324025A	2910140400	0.82	OR47.23X3.53	207
2"	F332025A	2910140500	1.08	OR56.75X3.53	207
2 1/2"	F340025A	2910140600	1.40	OR69.44X3.53	179
3"	F348025A	2910140700	2.38	OR85.32X3.53	138
4"	F364025A	2910140800	3.98	OR110.72X3.53	34

Component material: Carbon steel
 Available in stainless steel on request.
 O-ring included in the Part No.

SAE 6000 psi flange dimensions

Drilled to ISO 6162-2 (SAE J 518 Code 62)

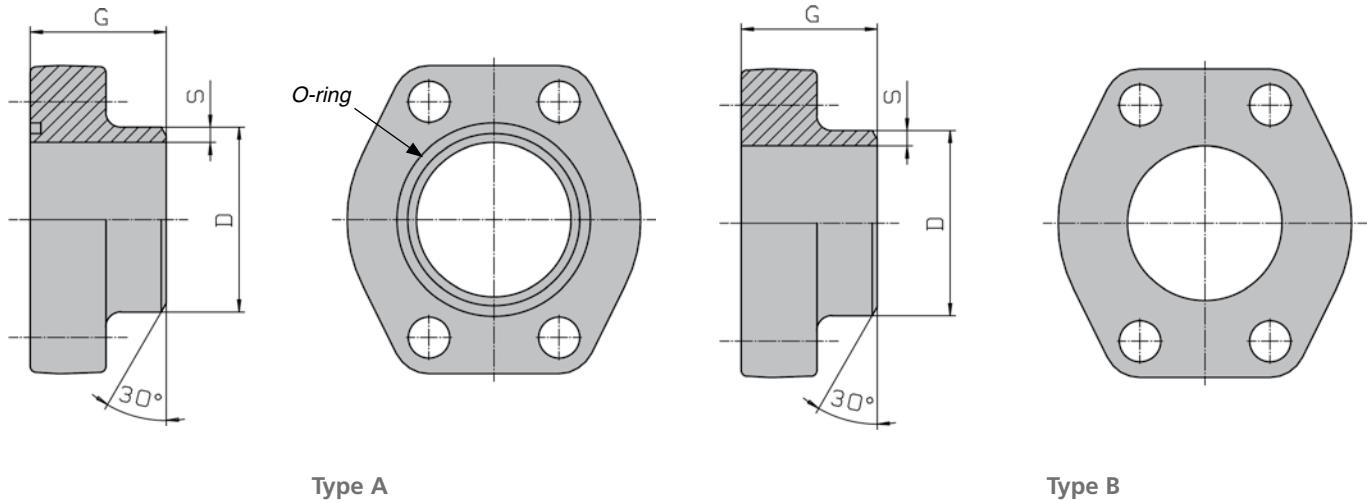


Size	Part No	A	B	G	H	M	N	O	Bolt L DIN 912, 8.8
1/2"	F608	18.2	40.5	48	56	56	53	59	M8x60(35)
3/4"	F612	23.8	50.8	60	71	70	66	75	M10x70(40)
1"	F616	27.8	57.2	70	81	80	75	84	M12x70(45)
1 1/4"	F620	31.7	66.7	78	95	90	83	99	M14x90(50)
1 1/2"	F624	36.5	79.4	95	113	108	101	116	M16x100(60)
2"	F632	44.5	96.8	114	133	128	120	137	M20x110(70)

L= flange to flange
(L)= flange to block

SAE 6000 psi welding flanges

Drilled to ISO 6162-2 (SAE J 518 Code 62)



Type A

Size	Part No*	ID Code	DxS	G	Weight [kg]	W.P. [bar]
1/2"	F608009A	2910210000	21.5X4.3	36	0.28	420
3/4"	F612009A	2910210100	28.0X4.5	36	0.51	420
1"	F616009A	2910210200	34.0X4.5	38	0.80	420
1 1/4"	F620009A	2910210300	42.8X5.4	41	1.13	420
1 1/2"	F624009A	2910210400	48.6X5.3	44	1.86	420
2"	F632002A	2910210500	61.0X5.0	45	3.30	420

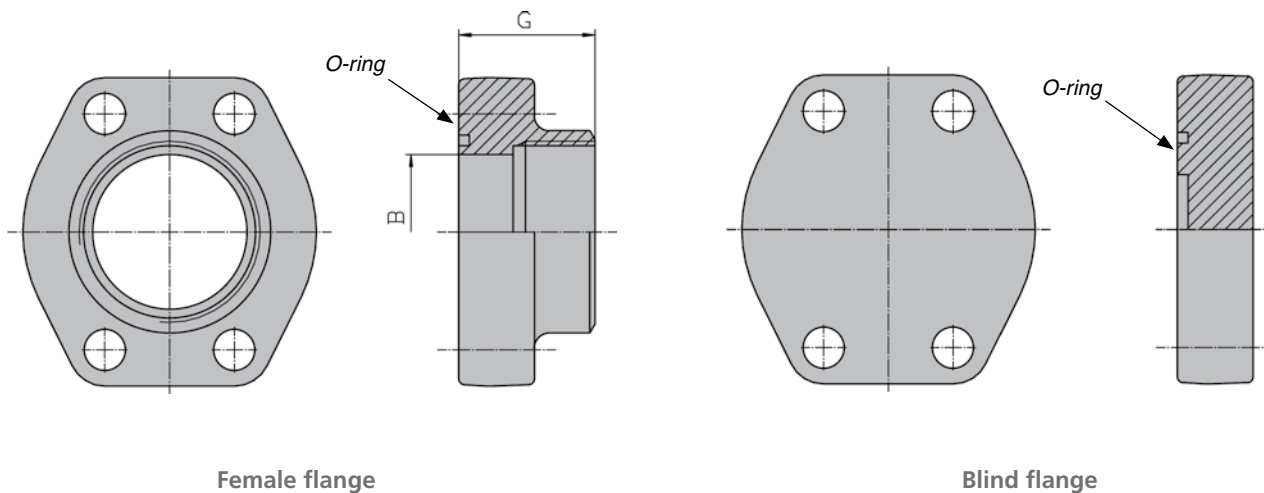
Type B – counter flange

Size	Part No	ID Code	DxS	G	Weight [kg]	W.P. [bar]
1/2"	F608009B	2910220000	21.5X4.3	36	0.26	420
3/4"	F612009B	2910220100	28.0X4.5	36	0.50	420
1"	F616009B	2910220200	34.0X4.5	38	0.71	420
1 1/4"	F620009B	2910220300	42.8X5.4	41	1.20	420
1 1/2"	F624009B	2910220400	48.6X5.3	44	1.94	420
2"	F632002B	2910220500	61.0X5.0	45	3.42	420

Component material: Carbon steel
 Available in stainless steel on request.
 *) O-ring included in the Part No.

SAE 6000 psi female flange and blind flange

Drilled to ISO 6162-2 (SAE J 518 Code 62)



Female flange – Type A

Size	Part No	ID Code	BSP	G	B	Weight [kg]	O-Ring	W.P. [bar]
1/2"	F608013A	2910230000	1/2"	36	13	0.25	OR18.64x3.53	345
3/4"	F612013A	2910230100	3/4"	36	19	0.37	OR25.00x3.53	345
1"	F616013A	2910230200	1"	38	25	0.45	OR32.93x3.53	345
1 1/4"	F620013A	2910230300	1 1/4"	41	32	0.66	OR37.70x3.53	276
1 1/2"	F624013A	2910230400	1 1/2"	44	38	1.05	OR47.23x3.53	207
2"	F632013A	2910230500	2"	45	51	1.17	OR56.75x3.53	207

Blind flange – Type A

Size	Part No	ID Code	Weight [kg]	O-Ring	W.P. [bar]
1/2"	F608025A	2910240000	0.24	OR18.64x3.53	420
3/4"	F612025A	2910240100	0.30	OR25.00x3.53	420
1"	F616025A	2910240200	0.42	OR32.93x3.53	420
1 1/4"	F620025A	2910240300	0.55	OR37.70x3.53	420
1 1/2"	F624025A	2910240400	0.82	OR47.23x3.53	420
2"	F632025A	2910240500	1.08	OR56.75x3.53	420

Component material: Carbon steel
Available in stainless steel on request.
O-ring included in the Part No.

