

## Quick disconnect couplings

Cejn – ISO 7241-A.....	406
Cejn – ISO 7241-B .....	407
Cejn – ISO 7241-B Stainless steel .....	408
Intertraco screw-to-connect Series S.....	409
Intertraco screw-to-connect – Flat-Face.....	410
Cejn Nordic Sortiment.....	411
Cejn Series X65 and X64 – ISO 16028 – Steel.....	412
Cejn Series X66 – ISO 16028 – Stainless steel.....	413
Cejn Series 115.....	414
Cejn Series 116.....	415
Snap-Tite H-IH and PH Series.....	416
Snap-Tite, 71 Series ‘Flush Face/Dry Break’.....	417
Snap-Tite, 75 Series ‘Thread-to-Connect’.....	418

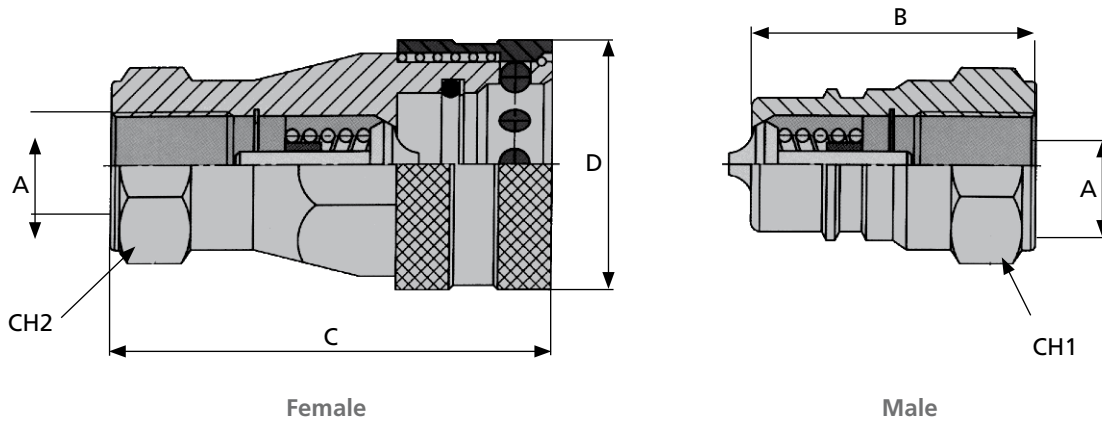
GS-Hydro offers a wide range of Quick Disconnect Couplings for all hydraulic and pneumatic applications from the leading suppliers on the market, like Cejn, Intertraco, Snap-Tite, Faster, Unoflow and others.

Our range includes couplings with or without valve, pressure eliminator, leak free and high pressure couplings up to 3000 bar.

On the following pages, a selection of our range is presented. Please contact your local GS-Hydro branch for other makes, types and dimensions.



Cejn – ISO 7241-A



Series A is designed to interchange and perform according to ISO 7241-A standard. It is one of the most popular coupling design worldwide and is indicated for several mobile and industrial applications.

- Interchangeability according to ISO 7241-A
- Standard material: steel
- Plugs treated with induction hardening
- Internal valves in hardened steel
- Standard seals in nitrile rubber
- Back-up seals in teflon
- Working temperature with standard nitrile seals: -20°C – +110°C
- Special seals on request: Viton, EPDM, Neoprene
- 1/2" plug and socket are also available in a special version allowing their connection in presence of residual back pressure

Male Coupling

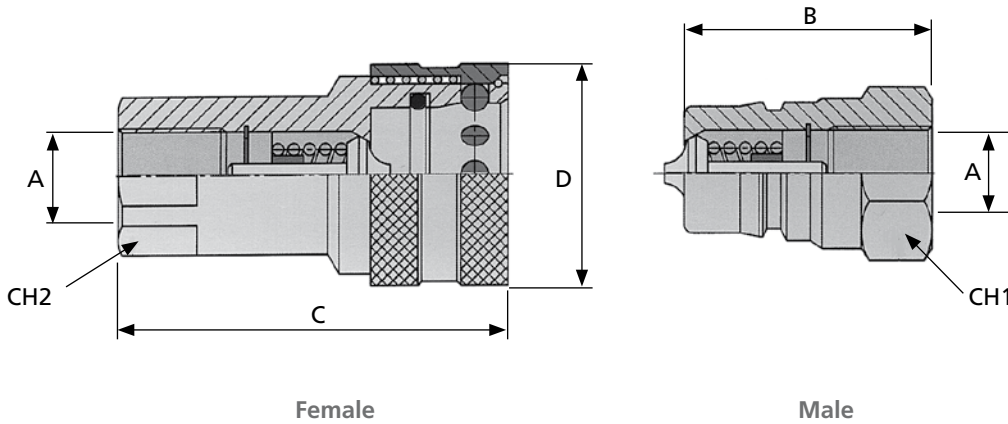
Size	Ø DN		Male		W.P. [bar]	Weight [kg]	ØA*	B	CH1	Dust plug Part No
	[mm]	[inch]	Part No	ID Code						
04	6	1/4"	059230-04	2401010000	350	0.05	1/4" BSP	32	19	059230-04P
06	10	3/8"	059230-06	2401010010	300	0.06	3/8" BSP	38	22	059230-06P
08	12	1/2"	059230-08	2401010020	250	0.09	1/2" BSP	45	27	059230-08P
12	20	3/4"	059230-12	2401010030	250	0.19	3/4" BSP	55	34	059230-12P
16	25	1"	059230-16	2401010040	250	0.27	1" BSP	63	41	059230-16P
20	32	1 1/4"	059230-20	2401010050	230	0.60	1 1/4" BSP	75	55	059230-20P
24	38	1 1/2"	059230-24	2401010060	190	0.90	1 1/2" BSP	85	60	059230-24P
32	50	2"	059230-32	2401010070	190	1.45	2" BSP	100	75	059230-32P

Female Coupling

Size	Ø DN		Female		W.P. [bar]	Weight [kg]	ØA*	C	ØD	CH2	Dust cap Part No
	[mm]	[inch]	Part No	ID Code							
04	6	1/4"	059231-04	2401010500	350	0.08	1/4" BSP	47	25	19	059231-04C
06	10	3/8"	059231-06	2401010510	300	0.15	3/8" BSP	58	31	24	059231-06C
08	12	1/2"	059231-08	2401010520	250	0.27	1/2" BSP	67.5	38	30	059231-08C
12	20	3/4"	059231-12	2401010530	250	0.47	3/4" BSP	81	46	38	059231-12C
16	25	1"	059231-16	2401010540	250	0.72	1" BSP	96	55	45	059231-16C
20	32	1 1/4"	059231-20	2401010550	230	1.25	1 1/4" BSP	117	65	50	059231-20C
24	38	1 1/2"	059231-24	2401010560	190	2.10	1 1/2" BSP	135	80	60	059231-24C
32	50	2"	059231-32	2401010570	190	4.15	2" BSP	160	100	75	059231-32C

\*) Other threads on request.

# Cejn – ISO 7241-B



Series B is designed to interchange and perform according to ISO 7241-B standard. It is one of the most popular coupling design worldwide and is indicated for several industrial applications.

- Interchangeability according to ISO 7241-B
- Standard material: steel
- Plugs treated with induction hardening
- Internal valves in hardened steel
- Standard seals in nitrile rubber
- Back-up seals in teflon
- Working temperature with standard nitrile seals: -20°C – +110°C
- Special seals on request: Viton, EPDM, Neoprene

## Male Coupling

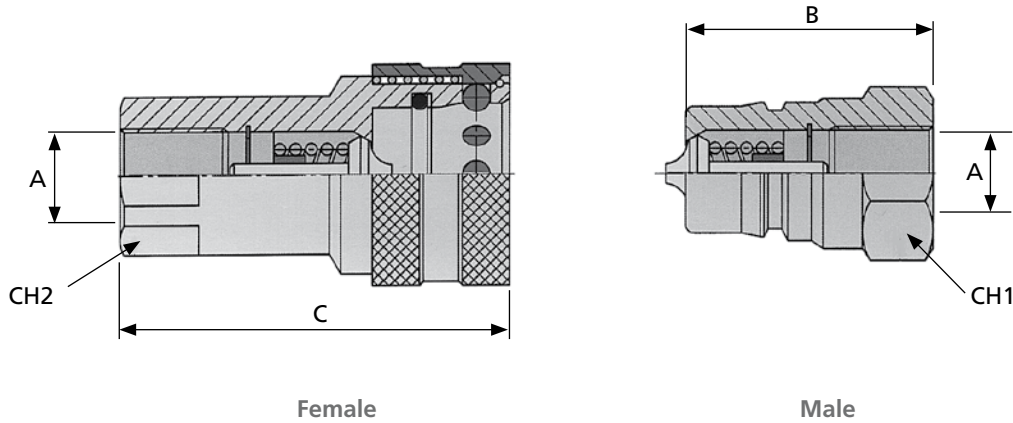
Size	Ø DN		Male		ØA*	B [mm]	Ch1 [mm]	Dust plug Part No
	[mm]	[inch]	Part No	ID Code				
02	3	1/8"	059232-02	2401012000	1/8" BSP	30	14	059232-02P
04	6	1/4"	059232-04	2401012010	1/4" BSP	35	19	059232-04P
06	10	3/8"	059232-06	2401012020	3/8" BSP	41	24	059232-06P
08	12	1/2"	059232-08	2401012030	1/2" BSP	46	27	059232-08P
12	20	3/4"	059232-12	2401012040	3/4" BSP	55	36	059232-12P
16	25	1"	059232-16	2401012050	1" BSP	66	41	059232-16P

## Female Coupling

Size	Ø DN		Female		ØA*	C [mm]	ØD [mm]	Ch2 [mm]	Dust cap Part No
	[mm]	[inch]	Part No	ID Code					
02	3	1/8"	059233-02	2401012500	1/8" BSP	49	24	14	059233-02C
04	6	1/4"	059233-04	2401012510	1/4" BSP	57	27	19	059233-04C
06	10	3/8"	059233-06	2401012520	3/8" BSP	66	34	24	059233-06C
08	12	1/2"	059233-08	2401012530	1/2" BSP	74	42	27	059233-08C
12	20	3/4"	059233-12	2401012540	3/4" BSP	90	50	36	059233-12C
16	25	1"	059233-16	2401012550	1" BSP	106	60	41	059233-16C

\*) Other threads on request.

Cejn – ISO 7241-B Stainless steel



These quick-connect couplings and nipples are manufactured according to ISO Standard 7241-1 B. The solid design makes them particularly suitable for strenuous applications in the iron, steel, oil, food and automotive industry.

Male Coupling

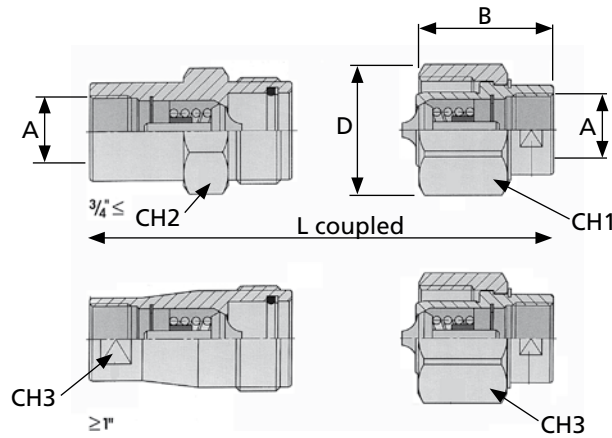
Size	Ø DN		Male		W.P. [bar]	Weight [kg]	ØA*	B	CH1	Dust plug Part No
	[mm]	[inch]	Part No	ID Code						
02	5	1/8"	059234-02	2403012000	150	0.02	1/8" BSP 1/8" NPTF	30	14	059234-02P
			059236-02	2403013000						
04	6	1/4"	059234-04	2403012010	150	0.04	1/4" BSP 1/4" NPTF	35	19	059234-04P
			059236-04	2403013010						
06	10	3/8"	059234-06	2403012020	100	0.07	3/8" BSP 3/8" NPTF	41	24	059234-06P
			059236-06	2403013020						
08	12	1/2"	059234-08	2403012030	100	1.10	1/2" BSP 1/2" NPTF	46	27	059234-08P
			059236-08	2403013030						
12	20	3/4"	059234-12	2403012040	100	1.20	3/4" BSP 3/4" NPTF	55	36	059234-12P
			059236-12	2403013040						
16	25	1"	059234-16	2403012050	75	1.37	1" BSP 1" NPTF	66	41	059234-16P
			059236-16	2403013050						

Female Coupling

Size	Ø DN		Female		W.P. [bar]	Weight [kg]	ØA*	C	ØD	CH2	Dust cap Part No
	[mm]	[inch]	Part No	ID Code							
02	5	1/8"	059235-02	2403012500	150	0.07	1/8" BSP 1/8" NPTF	49	24	14	059235-02C
			059237-02	2403013500							
04	6.3	1/4"	059235-04	2403012510	150	0.12	1/4" BSP 1/4" NPTF	57	27	19	059235-04C
			059237-04	2403013510							
06	10	3/8"	059235-06	2403012520	100	0.22	3/8" BSP 3/8" NPTF	66	34	24	059235-06C
			059237-06	2403013520							
08	12	1/2"	059235-08	2403012530	100	0.32	1/2" BSP 1/2" NPTF	74	42	27	059235-08C
			059237-08	2403013530							
12	20	3/4"	059235-12	2403012540	100	0.59	3/4" BSP 3/4" NPTF	90	50	36	059235-12C
			059237-12	2403013540							
16	25	1"	059235-16	2403012550	75	0.86	1" BSP 1" NPTF	106	60	41	059235-16C
			059237-16	2403013550							

\*) Other threads on request.

# Intertraco screw-to-connect Series S



Series S is a screw to connect coupling range available in sizes from 1/4" to 2 1/2". This series is used in heavy duty hydraulic and industrial applications in presence of high pressure, vibrations, mechanical stresses.

- Standard material: steel
- Internal valves in hardened steel
- Standard seals in nitrile rubber
- Back-up seals in teflon
- Working temperature with standard seals: -20°C – +110°C
- Special seals on request: Viton, EPDM, Neoprene

## Male Coupling

Size	Ø DN		Male		W.P. [bar]	Weight [kg]	ØA*	B	L	CH1	CH3	Dust plug Part No
	[mm]	[inch]	Part No	ID Code								
04	6	1/4"	SM10-04	2401014000	500	0.08	1/4" BSP	36	69	28	16	TSM04
06	10	3/8"	SM10-06	2401014010	450	0.15	3/8" BSP	42	82	34	20	TSM06
08	12	1/2"	SM10-08	2401014020	400	0.26	1/2" BSP	55	100	42	27	TSM08
12	20	3/4"	SM10-12	2401014030	350	0.37	3/4" BSP	61	114	50	30	TSM12
16	25	1"	SM10-16	2401014040	300	0.66	1" BSP	61	120	60	40	TSM16
20	32	1 1/4"	SM10-20	2401014050	250	1.00	1 1/4" BSP	70	140	70	48	TSM20
24	38	1 1/2"	SM10-24	2401014060	220	1.35	1 1/2" BSP	70	140	80	52	TSM24
32	50	2"	SM10-32	2401014070	150	4.10	2" BSP	86	173	120	80	TSM32
40	63	2 1/2"	SM10-40	2401014080	120	3.64	2 1/2" BSP	86	173	120	85	TSM40

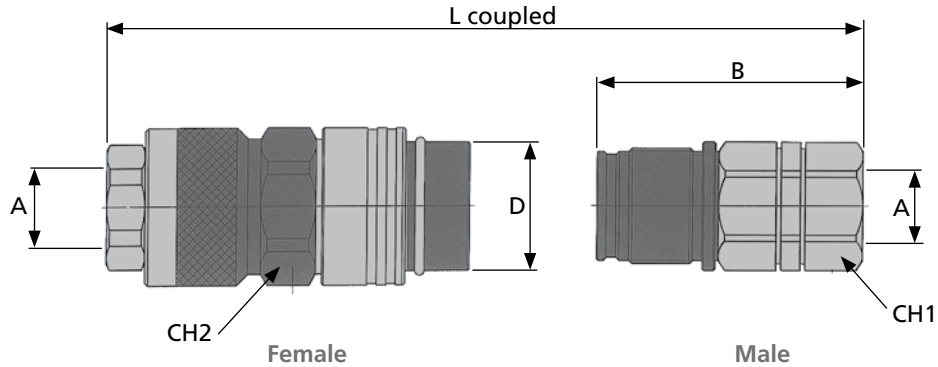
## Female Coupling

Size	Ø DN		Female		W.P. [bar]	Weight [kg]	ØA*	C	ØD	L	CH2	CH3	Dust cap Part No
	mm	inch	Part No	ID Code									
04	6	1/4"	SF10-04	2401014500	500	0.10	1/4" BSP	50	31	69	24	16	TSF04
06	10	3/8"	SF10-06	2401014510	450	0.18	3/8" BSP	57	38	82	30	20	TSF06
08	12	1/2"	SF10-08	2401014520	400	0.39	1/2" BSP	75	47	100	38	27	TSF08
12	20	3/4"	SF10-12	2401014530	350	0.55	3/4" BSP	90	56	114	42	30	TSF12
16	25	1"	SF10-16	2401014540	300	0.70	1" BSP	88	67	120		40	TSF16
20	32	1 1/4"	SF10-20	2401014550	250	1.03	1 1/4" BSP	105	79	140		48	TSF20
24	38	1 1/2"	SF10-24	2401014560	220	1.20	1 1/2" BSP	105	90	140		52	TSF24
32	50	2"	SF10-32	2401014570	150	3.63	2" BSP	130	128	173		80	TSF32
40	63	2 1/2"	SF10-40	2401014580	120	3.30	2 1/2" BSP	130	128	173		85	TSF40

Material: Carbon steel  
 Can be supplied in AISI 316 on request. Also available in aluminium.  
 \*) Other threads on request.

GS-FLANGE SYSTEM  
 PIPES & TUBES  
 CLAMPS  
 VALVES  
 TEST EQUIPMENT  
 BITE TYPE FITTINGS  
 SAE J514 JIC  
 HOSES & COUPLINGS  
 QUICK DISCONNECT  
 SWIVELS  
 ADAPTORS  
 OTHER COMPONENTS  
 MACHINES  
 GENERAL INFORMATION

Intertraco screw-to-connect – Flat face



The VP series represents the ideal combination of flat face and screw to connect designs. This range achieves very high working pressures and is suitable for heavy duty working conditions such as pulsating pressures and vibrations. VP series offers the important possibility of connecting and disconnecting the two parts under pressure with no spillage.

- Possibility to connect and disconnect the two parts with residual pressures up to 300 bar (4300 psi).
- Perfect sealing of plug and socket both when coupled and uncoupled.

- No inclusion of air or external media during connection and disconnection.
- The flat faces are easy to clean.
- Sleeve with a safety device preventing from accidental disconnection.
- Standard seals in nitrile rubber
- Antiextrusion ring in teflon
- Working temperature with standard seals: -20°C – +110°C
- Special seals on request: Viton, EPDM, Neoprene, Silicone
- Special caps on request

Series VP “screw to connect” – male coupling

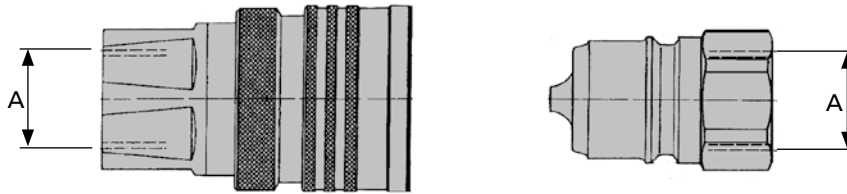
Size	Ø DN [mm]	Male		W.P. [bar]	Weight [kg]	ØA*	B	L	CH1	Dust plug Part No
		Part No	ID Code							
04	7	VPM10-04	2401016000	600	0.16	1/4" BSP	53	125.4	27	VPM10-04P
06	9	VPM10-06	2401016010	550	0.21	3/8" BSP	64.5	142.5	30	VPM10-06P
08	13	VPM10-08	2401016020	550	0.33	1/2" BSP	76.5	168	36	VPM10-08P
12	15	VPM10-12	2401016030	525	0.42	3/4" BSP	83.5	175	41	VPM10-12P
16	17	VPM10-16	2401016040	525	0.96	1" BSP	98	202.5	46	VPM10-16P
20	21	VPM10-20	2401016050	500	0.96	1 1/4" BSP	105	215	55	VPM10-20P
24	30	VPM10-24	2401016060	400	2.10	1 1/2" BSP	132	271	65	VPM10-24P

Series VP “screw to connect” – female coupling

Size	Ø DN [mm]	Female		W.P. [bar]	Weight [kg]	ØA*	C	ØD	L	CH2	Dust cap Part No
		Part No	ID Code								
04	7	VPF10-04	2401016500	600	0.45	1/4" BSP	84	35	125.4	32	VPF10-04C
06	9	VPF10-06	2401016510	550	0.60	3/8" BSP	94.5	42	142.5	38	VPF10-06C
08	13	VPF10-08	2401016520	550	0.96	1/2" BSP	110	49	168	45	VPF10-08C
12	15	VPF10-12	2401016530	525	1.26	3/4" BSP	110	52	175	48	VPF10-12C
16	17	VPF10-16	2401016540	525	2.90	1" BSP	127	60	202.5	55	VPF10-16C
20	21	VPF10-20	2401016550	500	2.90	1 1/4" BSP	137	76	215	70	VPF10-20C
24	30	VPF10-24	2401016560	400	6.30	1 1/2" BSP	175	94	271	85	VPF10-24C

Material: Carbon steel  
 Can be supplied in AISI 316 on request. Also available in aluminium.  
 \*) Other threads on request.  
**NOTE:** VP-Series offers the important possibility of connecting and disconnecting two halves under pressure with no spillage (up to 300 bar).

# Cejn Nordic Sortiment



Female

Male

CEJN's Nordic Range offers heavy-duty designed couplings and nipples for mobile hydraulic applications, plus added protection against involuntary disconnection.

### Steel & stainless steel couplings in a standard heavy-duty design

The Nordic Range series features a heavy-duty design with steel as well as stainless steel as standard. All parts exposed to extreme strain and stress, such as the locking sleeve and nipple, are made of hardened steel for extra protection. These materials ensure that the couplings offer rugged use and a long service life.

### Extra sealing capacity

Double O-rings and a back-up ring give the Nordic Range improved sealing performance.

### Optional dust caps available

To prevent dust and debris from entering the system, dust caps are recommended for use on both the coupling and nipple when they are disconnected. They are available for all sizes and connections.

### Optional pressure eliminator

Both the nipple and coupling are designed with a built-in pressure eliminator, allowing a low-force-to-connect operation, even when either half is residual pressure.

### Security locking for extra protection against involuntary disconnection

As added protection against involuntary disconnection the coupling design includes a manual security-locking feature. It is engaged by manually turning the black locking ring after connection. The lock is released by returning the ring to its original position prior to disconnection.

## Male Coupling

Size	inch	Male		Male w. Eliminator		Male AISI 316		W.P. [bar]		ØA	Dust plug Part No
		Part No	ID Code	Part No	ID Code	Part No	ID Code		AISI 316		
04	1/4"	059238-04	2401018000	-	-	059238-04SS	2403018000	450	250	1/4" BSP	059238-04P
06	3/8"	059238-06	2401018010	059238-06E	2401018210	059238-06SS	2403018010	350	300	3/8" BSP	059238-06P
08	1/2"	059238-08	2401018020	059238-08E	2401018220	059238-08SS	2403018020	300	300	1/2" BSP	059238-08P
12	3/4"	059238-12	2401018030	059238-12E	2401018230	059238-12SS	2403018030	280	200	3/4" BSP	059238-12P
16	1"	059238-16	2401018040	059238-16E	2401018240	059238-16SS	2403018040	250	200	1" BSP	059238-16P
24	1 1/2"	059238-24	2401018050	-	-	-	-	200	-	1 1/2" BSP	059238-24P
32	2"	059238-32	2401018060	-	-	-	-	180	-	2" BSP	059238-32P

## Female Coupling

Size	inch	Female		Female Eliminator		Female AISI 316		Female Brass		W.P. [bar]		ØA	Dust cap Part No
		Part No	ID Code	Part No	ID Code	Part No	ID Code	Part No	ID Code		AISI 316		
04	1/4"	059239-04	2401018500	-	-	059239-04SS	2403018500	059239-04MSG	2407018500	450	250	1/4" BSP	059239-04C
06	3/8"	059239-06	2401018510	059239-06E	2401018710	059239-06SS	2403018510	059239-06MSG	2407018510	350	300	3/8" BSP	059239-06C
08	1/2"	059239-08	2401018520	059239-08E	2401018720	059239-08SS	2403018520	059239-08MSG	2407018520	300	300	1/2" BSP	059239-08C
12	3/4"	059239-12	2401018530	059239-12E	2401018730	059239-12SS	2403018530	059239-12MSG	2407018530	280	200	3/4" BSP	059239-12C
16	1"	059239-16	2401018540	059239-16E	2401018740	059239-16SS	2403018540	059239-16MSG	2407018540	250	200	1" BSP	059239-16C
24	1 1/2"	059239-24	2401018550	-	-	-	-	059239-24MSG	2407018550	200	-	1 1/2" BSP	059239-24C
32	2"	059239-32	2401018560	-	-	-	-	059239-32MSG	2407018560	180	-	2" BSP	059239-32C

## Cejn Series X65 and X64 – No-Spill, ISO 16028 Flat-Face Couplings - Steel



CEJN X-Series couplings are “clean connections” for mobile hydraulic applications such as construction equipment, agricultural machinery and forestry equipment. The Flat-Face design of the couplings minimizes spillage during connection and disconnection - an important step in preventing fire and safety hazards and poor performance in hydraulic systems, and preventing pollution and its associated, costly cleanup measures.

By choosing CEJN's X-Series no-spill couplings, you will be contributing to overall improved system performance. The X-Series are designed in accordance with ISO 16028, an international standard that specifies interface dimensions for interchangeability and performance requirements for hydraulic, flat-face, quick-action couplings at pressure from 25 MPa to 31.5 MPa.

#### Low spillage during connection and disconnection

The Flat-Face design of the X-Series minimizes spillage during connection and disconnection. And the smooth flat surface of the couplings are easily wiped clean, further reducing spillage and the threat of contamination entering hydraulic systems.

#### One-hand operation for easy connection

The X-Series couplings require only one hand for operation, making connection and disconnection fast and easy. During connection, the coupling and nipple automatically lock into place.

#### Security locking for extra protection against involuntary disconnection

As added protection against involuntary disconnection, the coupling design includes a manual security-locking feature. It is engaged by manually turning the locking sleeve after connection. The lock is released by returning the sleeve to its original position during disconnection.

#### Optional dust caps available

To prevent dust and debris from entering the system, dust caps are recommended for use on both the coupling and nipple when they are connected and disconnected. They are available for all sizes and connections.

#### DN 5 mm to DN 25 mm sizes

The X-Series are offered in many versions and sizes, including couplings in steel with a working pressure up to 500 bar. Also included in the range is pressure eliminator that solves problems with residual pressure on the nipple side (X64).

#### Two-part design

Since the two-part couplings feature separate front and back sections, standard line products are available with customer rear sections or threads to meet specific application requirements.

Size	Ø DN		Series X65 Steel				Series X64 Nipple with pressure eliminator, Steel		Dust plug Part No	Dust cap Part No
	[inch]	Nom. Flow Dia. [mm]	Part No Coupling	ID Code Coupling	Part No Nipple	ID Code Nipple	Part No Nipple	ID Code Nipple		
02	1/8"	5	059240-02	2401028000	059241-02	2401028500	-	-	059240-02P	059241-02C
04	1/4"	6,3	059240-04	2401028010	059241-04	2401028510	059244-04	2401031000	059240-04P	059241-04C
06	3/8"	10	059240-06	2401028020	059241-06	2401028520	059244-06	2401031010	059240-06P	059241-06C
08	1/2"	12,5	059240-08	2401028030	059241-08	2401028530	059244-08	2401031020	059240-08P	059241-08C
12	3/4"	16	059240-12	2401028040	059241-12	2401028540	059244-12	2401031030	059240-12P	059241-12C
12	3/4"	19	059240-12X	2401028050	059241-12X	2401028550	-	-	059240-12P	059241-12C
16	1"	25	059240-16	2401028060	059241-16	2401028560	059244-16	2401031040	059240-16P	059241-16C



## Cejn Series X66 – No-Spill, ISO 16028 Flat-Face Couplings - Stainless steel



CEJN Series X66 is a Flat-Face quick-connect coupling dimensionally in accordance to ISO 16028 Standard for low- and medium-pressure hydraulic applications. The Flat-Face design minimizes spillage during connection and disconnection. The stainless steel design makes it extra sturdy to fit applications in extreme environments. Series couplings require only one hand for operation, making connection and disconnection fast and easy. Dust caps are available as accessories for both the coupling and nipple to prevent dust and debris from entering the system. Series 266 couplings also feature manual security locking as added protection against involuntary disconnection.

Size	Ø DN		Series X66 Stainless Steel				Dust plug Part No	Dust cap Part No
	[inch]	Nom. Flow Dia. [mm]	Part No Coupling	ID Code Coupling	Part No Nipple	ID Code Nipple		
04	1/4"	6,3	059242-04	2403030000	059243-04	2403030500	059240-04P	059241-04C
06	3/8"	10	059242-06	2403030010	059243-06	2403030510	059240-06P	059241-06C
08	1/2"	12,5	059242-08	2403030020	059243-08	2403030520	059240-08P	059241-08C
12	3/4"	16	059242-12	2403030030	059243-12	2403030530	059240-12P	059241-12C

Cejn Series 115



Series 115 is available in both standard and Flat-Face designs. The Series is a CEJN original with extremely small outside dimensions. Non-drip connection and disconnection are standard on the CEJN High-Pressure range. All exposed components are made of zinc-plated steel. The coupling is also available in a design with a safety ring for the locking sleeve to prevent accidental disconnection. Plastic dust caps are standard on both coupling and nipple, dust caps of aluminum can be ordered separately. The nipple is also available in a design with a hose rupture valve. In the event of a ruptured hose the nipple closes and prevents the system from being drained of oil, which could have critical consequences for production and the environment.

**Technical data**

- Nominal flow diameter: 2.5 mm (3/32")
- Flow capacity: 6.0 l/min (1.3 GPM UK)
- Max. working pressure: 100.0 MPa
- Min. burst pressure: 260.0 MPa
- Temperature range: -30°C — +100°C (-22°F — +212°F)
- Material coupling: Hardened, zinc chromate plated steel
- Material nipple: Hardened, zinc chromate plated steel
- Material seal: Nitrile (NBR) other sealing material on request
- Comment: Avoid loading the nipple while disconnected. Dynamic load on nipple while disconnected may lead to seal damage.

Flow capacity is measured at 0.4 MPa pressure drop.

Size	Ø DN		Serie 115, 100 Mpa (1000 bar)							
	[inch]	Nom. Flow Dia. [mm]	Part No Coupling	ID Code Coupling	Part No Nipple (female)	ID Code Nipple (female)	Dust plug Part No	Part No Nipple (male)	ID Code Nipple (male)	Dust cap Part No
04	1/4"	2,5	059245-04	2401032000	059246-04	2401032500	059246-04P	059247-04	2401032510	059245-04C
04	1/4"	2,5	059245-04S*	2401032010						

\*) Safety Lock Ring  
Other dimensions and connections available on request.

Cejn Series 116



Series 116 is available in both standard and Flat-Face designs. The Series is a CEJN original with extremely small outside dimensions. Non-drip connection and disconnection are standard on the CEJN High-Pressure range. All exposed components are made of zinc-plated steel. The coupling is also available in a design with a safety ring for the locking sleeve to prevent accidental disconnection. Plastic dust caps are standard on both coupling and nipple, dust caps of aluminum can be ordered separately. There is a coupling and nipple manufactured of stainless steel and chemically nickel-plated steel available for use in corrosive environments. A coupling with a 90° angled swivel connection is also available for use in confined areas. The range is primarily recommended for cylinders, bolt tensioner tools, bearing pullers, etc.

**Technical data**

- Nominal flow diameter: 2.5 mm (3/32")
- Flow capacity: 6.0 l/min (1.3 GPM UK)
- Max. working pressure: 150.0 MPa
- Min. burst pressure: 300.0 MPa
- Temperature range: -30°C — +100°C (-22°F — +212°F)
- Material coupling: Hardened, zinc chromate plated steel
- Material nipple: Hardened, zinc chromate plated steel
- Material seal: Nitrile (NBR) other sealing material on request
- Comment: Avoid loading the nipple while disconnected. Dynamic load on nipple while disconnected may lead to seal damage.

Flow capacity is measured at 0.4 MPa pressure drop.

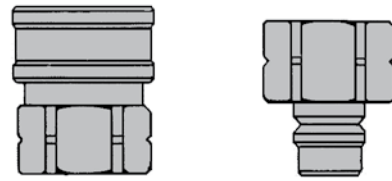
Size	Ø DN		Serie 116, 150 Mpa (1500 bar)						Dust plug Part No	Dust cap Part No
	[inch]	Nominal Flow Dia. [mm]	Part No Coupling	ID Code Coupling	Part No Nipple (female)	ID Code Nipple (female)	Part No Nipple (male)	ID Code Nipple (male)		
04	1/4"	2,5	059248-04	2401033000	059249-04	2401033500	059250-04	2401033510	059249-04P	059248-04C
04	1/4"	2,5	059248-04S*	2401033010						
04	1/4"	2,5	059248-04SS**	2401033020						

\*) Safety Lock Ring  
 \*\*) Safety Lock Ring in stainless steel  
 Other dimensions and connections available on request.

Snap-Tite

H - IH & PH Series

Size	Thread. conn.	Part No Coupling (brass)	ID Code Coupling (brass)	Part No Nipple (brass)	ID Code Nipple (brass)	Dust plug/cap Part No
04-04	1/4"	BVHC04R	2407040000	BVHN04R	2407040500	PDCP04
06-06	3/8"	BVHC06R	2407040010	BVHN06R	2407040510	PDCP06
08-08	1/2"	BVHC08R	2407040020	BVHN08R	2407040520	PDCP08
12-12	3/4"	BVHC12R	2407040030	BVHN12R	2407040530	PDCP12
16-16	1"	BVHC16R	2407040040	BVHN16R	2407040540	PDCP16
20-20	1 1/4"	BVHC20R	2407040050	BVHN20R	2407040550	PDCP20
24-24	1 1/2"	BVHC24R	2407040060	BVHN24R	2407040560	PDCP24
32-32	2"	BVHC32R	2407040070	BVHN32R	2407040570	PDCP32
40-40	2 1/2"	BVHC40R	2407040080	BVHN40R	2407040580	PDCP40
48-48	3"	BVHC48R	2407040090	BVHN48R	2407040590	PDCP48
64-64	4"	BVHC64R	2407040100	BVHN64R	2407040600	PDCP64



For hydraulic, pneumatic and general purpose applications.

For further information, please ask for special leaflet.

H Series quick disconnects have been proven by years of use on hydraulic-pneumatic applications and in handling of many gases and fluids. The H Series fully engineered design meets or exceeds MIL-C-51234 and provides superior flow characteristics with built in reliability.

**PH Option** – Has the same advantages built into the H Series with the addition of an instant, automatic bleed-off valve built into the valve for fast, easy connection of hydraulic lines and for other applications that call for periodic connection against trapped static hydraulic pressure. The PH Option can be placed in either the valve coupler or the valve nipple and are completely interchangeable with the H Series coupler and nipple.

The PH Option has successfully been field tested in connecting against static pressures up to 3000 psi (210 bar). Available in steel, Trivalent plated, in size 3/8", 1/2", 3/4" and 1".

**IH Option** – The IH Series is identical to the H Series except for the valve which was designed specifically for durability when used in pneumatic systems using reciprocating, pulsating and rotary motion air tools. Cylindrical construction of the IH valve provides 360° contact with the plain H Series nipple. This permits repeated cycling while enabling efficient operation and long life. Available in steel, Trivalent plated in size 1/4", 3/8", 1/2" and 3/4".

Pressure and flow data

Pressure ratings of standard quick disconnects can be increased for some applications by slight design modifications or if specific operating conditions are met. On applications requiring higher ratings than those listed or pressure surges, please consult your

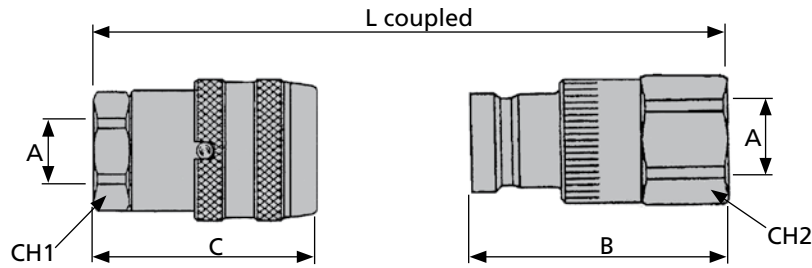
GS-Hydro branch office. Burst pressures listed were taken at the point at which failure rendered the quick disconnect inoperative. (Proof pressure equals 1 1/2 times times the working pressure; burst pressure equals 2 times working pressure.)

Working pressures

Size	Valve & Valve (double Shut-off) Valve & Plain (single Shut-off)								Plain & Plain (no Shut-off)							
	Steel		Aluminium		Brass		Stainless steel		Steel		Aluminium		Brass		Stainless steel	
	[psi]	[bar]	[psi]	[bar]	[psi]	[bar]	[psi]	[bar]	[psi]	[bar]	[psi]	[bar]	[psi]	[bar]	[psi]	[bar]
1/4"	6500	448	2250	155	2250	155	5000	345	11000	759	4000	276	4000	276	10000	690
3/8"	4500	310	2250	155	2250	155	4000	276	11000	759	4000	276	4000	276	8000	552
1/2"	4000	276	1750	121	2000	138	3750	259	11000	759	4000	276	4000	276	8000	552
3/4"	3500	241	1750	121	2000	138	2000	138	9000	621	3500	241	3500	241	7000	483
1"	2000	138	1500	103	1750	121	2000	138	6000	414	3000	207	3000	207	4000	276
1 1/4"	1750	121	375	26	350	24	1500	103	5000	345	1000	69	1000	69	3000	207
1 1/2"	1500	103	375	26	350	24	1500	103	5000	345	1000	69	1000	69	3000	207
2"	1500	103	300	21	400	28	500	34	4000	276	750	52	750	52	1000	69
2 1/2"	1000	69	300	21	400	28	400	28	1000	69	300	21	400	28	400	28
3"	750	52	200	14	200	14	400	28	750	52	200	14	200	14	400	28
4"	500	34	150	10	150	10	300	21	500	34	150	10	150	10	300	21

NOTE: Pressure ratings were established under static pressure conditions. Therefore, pressure ratings for any given flow, pressure surge and/or vibration may vary from these ratings.

# Snap-Tite, 71 Series 'Flush Face/Dry Break'



- Flush Face/Dry Break – Air inclusion and fluid loss are held to a minimum to prevent spillage and contamination of systems.
- Push-to-Connect – Ideal one-hand operation when one half is mounted. Simply insert the nipple into the coupler and push-to-connect. To disconnect retract the sleeve; and the coupling halves disconnect.
- Rugged – Heavy duty construction is ideally suited for high impulse applications.
- Pressure Capability – Designed for up to 10,000 psi (690 bar) operating pressures.
- Versatile – Available in steel with Zinc Trivalent Chromate plating, 316 Stainless steel, as well as other materials. Special seals for troublesome media are available; consult your GS-Hydro branch office.
- Available sizes – 1/8", 1/4", 3/8", 1", 1 1/4", 1 1/2" and 2".
- Superior flow and low pressure drop
- Sleeve lock – Designed to provide protection against accidental disconnection.
- Available with Autoclave cone and threaded fittings.

## Male coupling

Size	Ø DN [inch]	Male		W.P. [bar] steel	W.P. [bar] stainless steel	ØA*	B	L	CH2	Dust plug Part No
		Part No	ID Code							
04	1/4"	71N04R	2401020000	690	345	1/4" BSP 1/4" NPTF	49.8	83.1	20.6	713PNC04
		71N04NPT	2401022000							
06	3/8"	71N06R	2401020010	690	345	3/8" BSP 3/8" NPTF	60	101.6	25.4	713PNC06
		71N06NPT	2401022010							
08	1/2"	71N08R	2401020020	690	345	1/2" BSP 1/2" NPTF	70.4	112.5	38.1	713PNC08
		71N08NPT	2401022020							
12	3/4"	71N12R	2401020030	520	280	3/4" BSP 3/4" NPTF	77.5	130.3	44.5	713PNC12
		71N12NPT	2401022030							
16	1"	71N16R	2401020040	520	280	1" BSP 1" NPTF	84.3	142.3	47.8	713PNC16
		71N16NPT	2401022040							
20	1 1/4"	71N20R	2401020050	520	280	1 1/4" BSP 1 1/4" NPTF	93.2	158	50.8	713PNC20
		71N20NPT	2401022050							
24	1 1/2"	71N24R	2401020060	345	210	1 1/2" BSP 1 1/2" NPTF	157.8	193	82.6	713PNC24
		71N24NPT	2401022060							

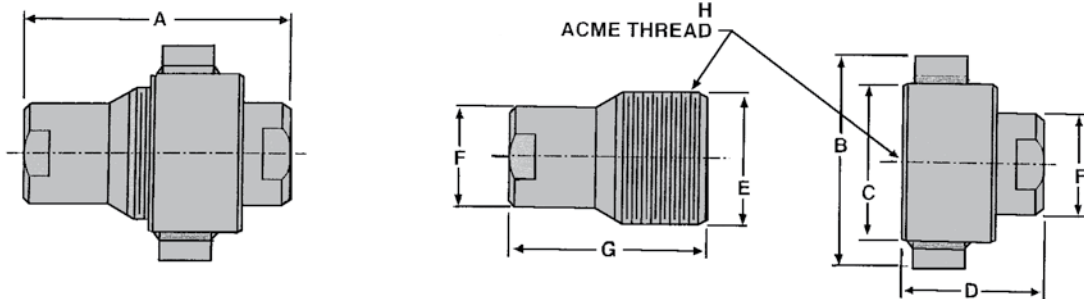
## Female coupling

Size	Ø DN [inch]	Female		W.P. [bar] steel	W.P. [bar] stainless steel	ØA*	C	L	CH1	Dust cap Part No
		Part No	ID Code							
04	1/4"	71C04R	2401020500	690	345	1/4" BSP 1/4" NPTF	46.7	83.1	23.9	713PCC04
		71C04NPT	2401022500							
06	3/8"	71C06R	2401020510	690	345	3/8" BSP 3/8" NPTF	58.9	101.6	30.2	713PCC06
		71C06NPT	2401022510							
08	1/2"	71C08R	2401020520	690	345	1/2" BSP 1/2" NPTF	60.5	112.5	38.1	713PCC08
		71C08NPT	2401022520							
12	3/4"	71C12R	2401020530	520	280	3/4" BSP 3/4" NPTF	75.2	130.3	44.5	713PCC12
		71C12NPT	2401022530							
16	1"	71C16R	2401020540	520	280	1" BSP 1" NPTF	82	142.3	57.2	713PCC16
		71C16NPT	2401022540							
20	1 1/4"	71C20R	2401020550	520	280	1 1/4" BSP 1 1/4" NPTF	88.9	158	57.2	713PCC20
		71C20NPT	2401022550							
24	1 1/2"	71C24R	2401020560	345	210	1 1/2" BSP 1 1/2" NPTF	114.3	193	85.9	713PCC24
		71C24NPT	2401022560							

Material: Carbon steel.  
For stainless steel, please add S to the Part No.  
(\*) Other threads on request.

GS-FLANGE SYSTEM  
PIPES & TUBES  
CLAMPS  
VALVES  
TEST EQUIPMENT  
BITE TYPE FITTINGS  
SAE J514 JIC  
HOSES & COUPLINGS  
QUICK DISCONNECT  
SWIVELS  
ADAPTORS  
OTHER COMPONENTS  
MACHINES  
GENERAL INFORMATION

Snap-Tite, 75 Series 'Thread-to-Connect'



For high pressure hydraulic, rough conditions.

- Connect under Pressure – Designed for up to 5000 psi (345 bar) operating pressures.
- Thread-to-Connect – To connect, merely thread the nipple into the coupler. To disconnect just unthread.
- Rugged – Steel construction, with Zinc Trivalent Chromate plating to resist corrosion.
- Stainless steel construction also available.
- Seals – Choice of seal materials to handle a variety of fluids including applications involving the use of fire-resistant hydraulic fluids.
- Available sizes – 3/4", 1", 1 1/4", 1 1/2", 2", 2 1/2", 3" and 4".
- DBP version is 'Fire Safe' rated to API 16D and certified to EUB Directive #36 (#NAO 0701023) for use on drilling blow-out prevention circuits (BOP's).

Size		A	B	ØC	D	ØE	ØF	G
3/4"	mm	123.2		47.5	72.1	44.5	34.3	83.1
1"	mm	153.3	107.9	69.9	87.6	57.2	44.9	105.9
1 1/4"	mm	197.1	120.7	82.6	111.8	66.6	54.4	136.1
1 1/2"	mm	220.9	146.0	95.3	128.0	82.3	63.5	151.6
2"	mm	255.3	171.5	120.7	154.2	101.6	82.6	179.1

Size	Thread Conn.	W.P. [bar]	Burst Press. [bar]	Female					Male				
				BSP		NPT		Dust cap Part No	BSP		NPT		Dust plug Part No
				Part No	ID Code	Part No	ID Code		Part No	ID Code	Part No	ID Code	
12-12	3/4"	345	1380	75C12R	2401024500	75C12NPT	2401026500	7SMDC-12	75N12R	2401024000	75N12NPT	2401026000	75MDP-12
16-16	1"	345	1380	75C16R	2401024510	75C16NPT	2401026510	7SMDC-16	75N16R	2401024010	75N16NPT	2401026010	75MDP-16
20-20	1 1/4"	345	1035	75C20R	2401024520	75C20NPT	2401026520	7SMDC-20	75N20R	2401024020	75N20NPT	2401026020	75MDP-20
24-24	1 1/2"	345	1035	75C24R	2401024530	75C24NPT	2401026530	7SMDC-24	75N24R	2401024030	75N24NPT	2401026030	75MDP-24
32-32	2"	345	1035	75C32R	2401024540	75C32NPT	2401026540	7SMDC-32	75N32R	2401024040	75N32NPT	2401026040	75MDP-32
40-40	2 1/2"	210	415	75C40R	2401024550	75C40NPT	2401026550	7SMDC-40	75N40R	2401024050	75N40NPT	2401026050	75MDP-40
48-48	3"	210	415	75C48R	2401024560	75C48NPT	2401026560	7SMDC-48	75N48R	2401024060	75N48NPT	2401026060	75MDP-48
64-64	4"	30	70	75C64R	2401024570	75C64NPT	2401026570	7SMDC-64	75N64R	2401024070	75N64NPT	2401026070	75MDP-64

NOTE: Caps and plugs also available from stock.